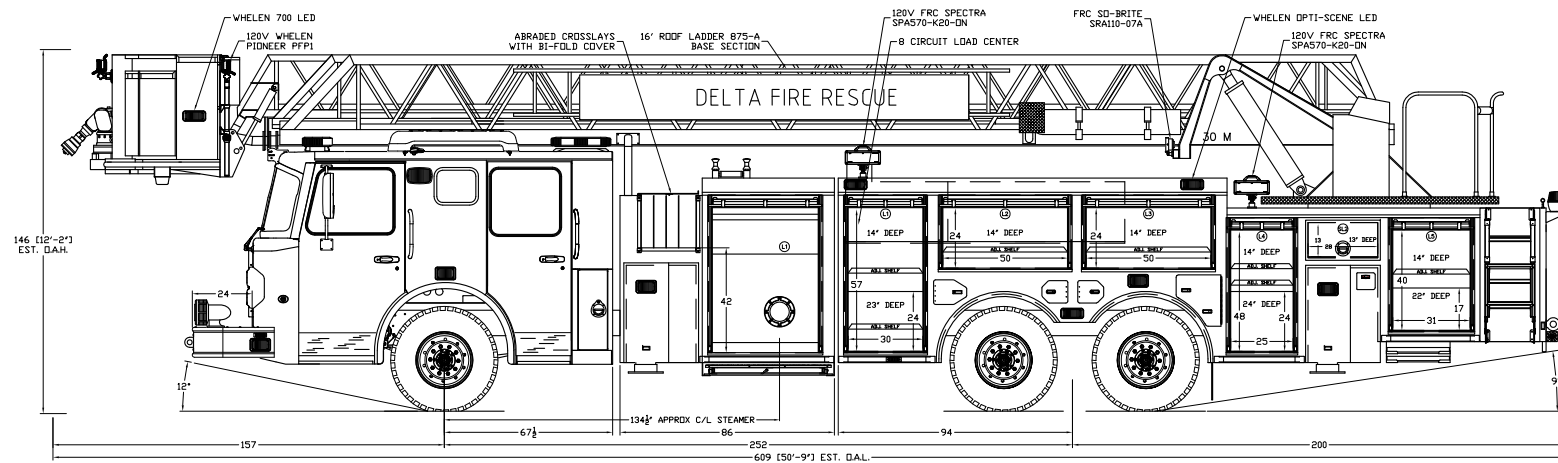
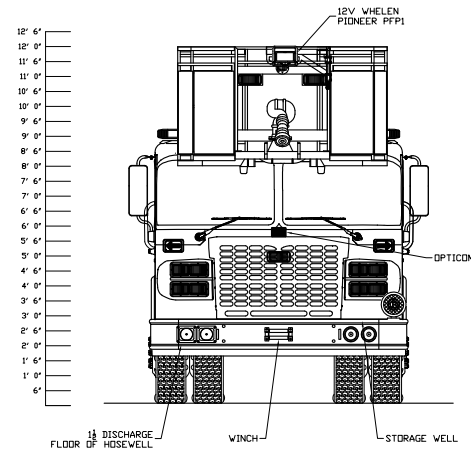
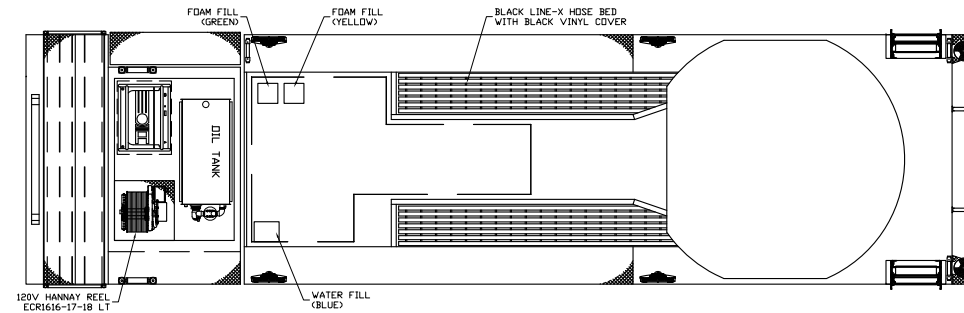
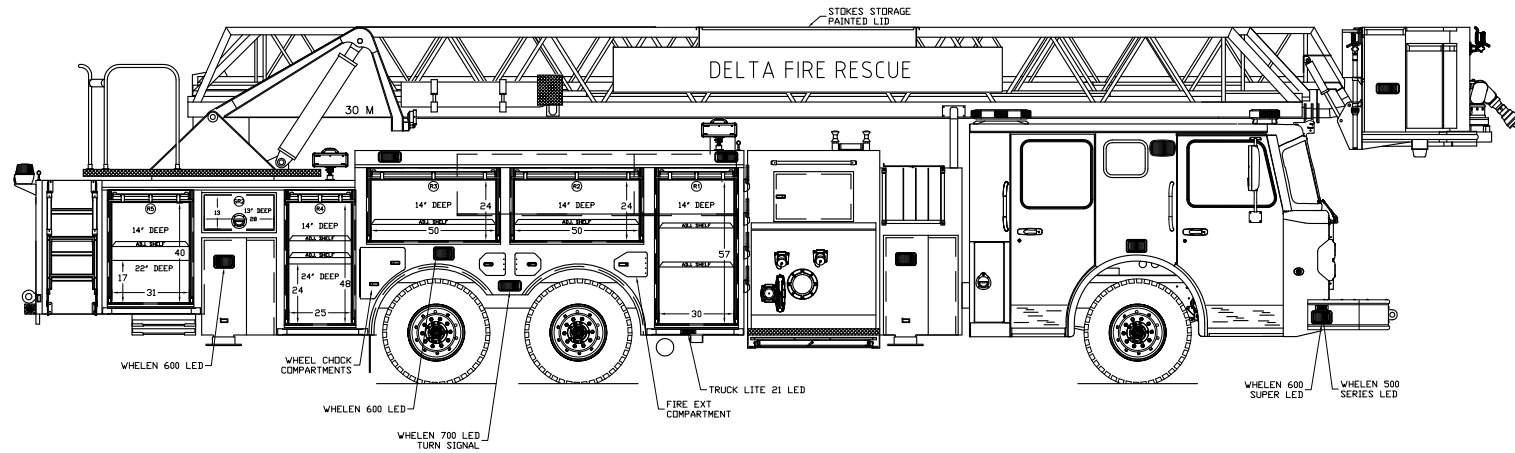


GROUND LADDERS & PIKE POLES			
ITEM	DESCRIPTION	MODEL	QTY
A	35' 3 SEC	1225-A	1
B	24' 2 SEC	900-A	1
C	16' ROOF	875-A	1
D	10' ATTIC	585-A	1
E	6' WALL HOOK	CWH-6Y	2
F	6' PIKE POLE	FP6	2
G	10' PIKE POLE	FP10	1
H	12' PIKE POLE	FP12	1
I	STOKES BASKET	MODEL 71	1

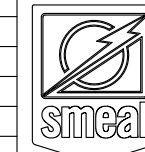


FOR REFERENCE
PURPOSES ONLY

CHASSIS: SPARTAN GLADIATOR LFD FLAT ROOF
 ENGINE: CUMMINS X15 505HP WITH ALLISON 4000 EVS
 PUMP: HALE QMAX 2250 GPM RATED AT 1750 IGPM
 WATER TANK: 300 IMP. GAL / 360 US GAL
 FOAM CELL: (2) 30 IMP. GAL / 36 US GAL
 BODY MATERIAL: 1/8" ALUMINUM
 HOSE BED: 1000' OF 5" / 40 CUBIC FEET
 GENERATOR: HONDA 13HP EM6500SXK2AT
 COMPARTMENTS: 166 CUBIC FEET

SHOP ORDER

Approval Signatures		Date	Revisions		SMEAL FIRE APPARATUS SNYDER, NE 68664	
CUSTOMER			KS	REVISED 9/28/17	DELTA, BC 100' REAR MOUNT PLATFORM	
DEALER			CB	REVISED 6/14/18		
SMEAL SALES					Drawn by:	Scale:
PRODUCTION					ML	1/4"=1'
ENGINEERING					Chk'd:	Date:
					18 x 24	08/22/17
						SD
						Drawing No.:
						S4832



WE BUILD RESPECT.