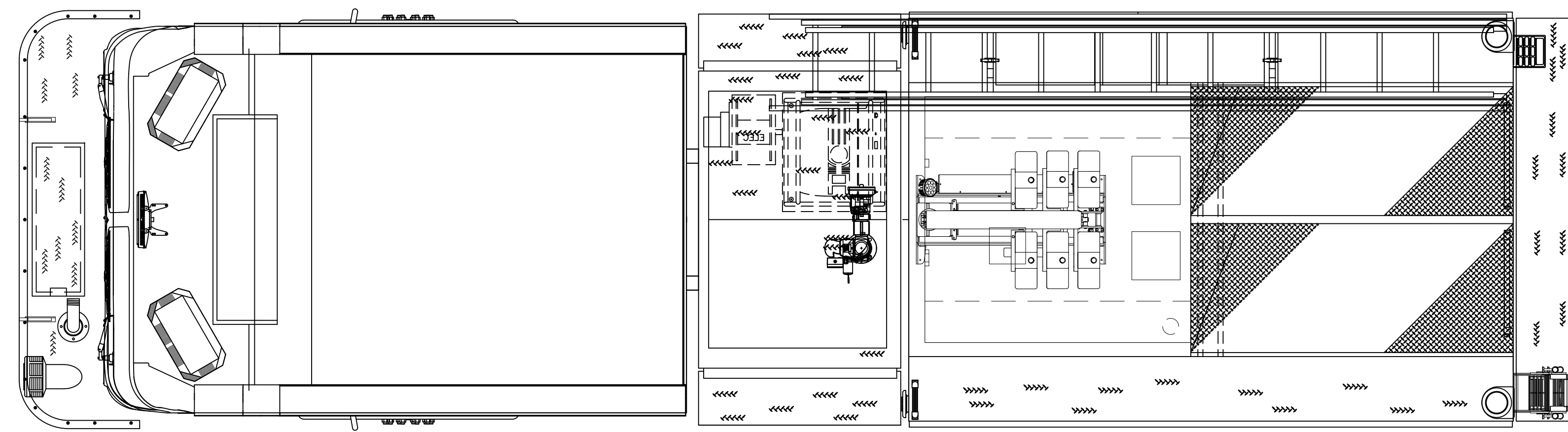
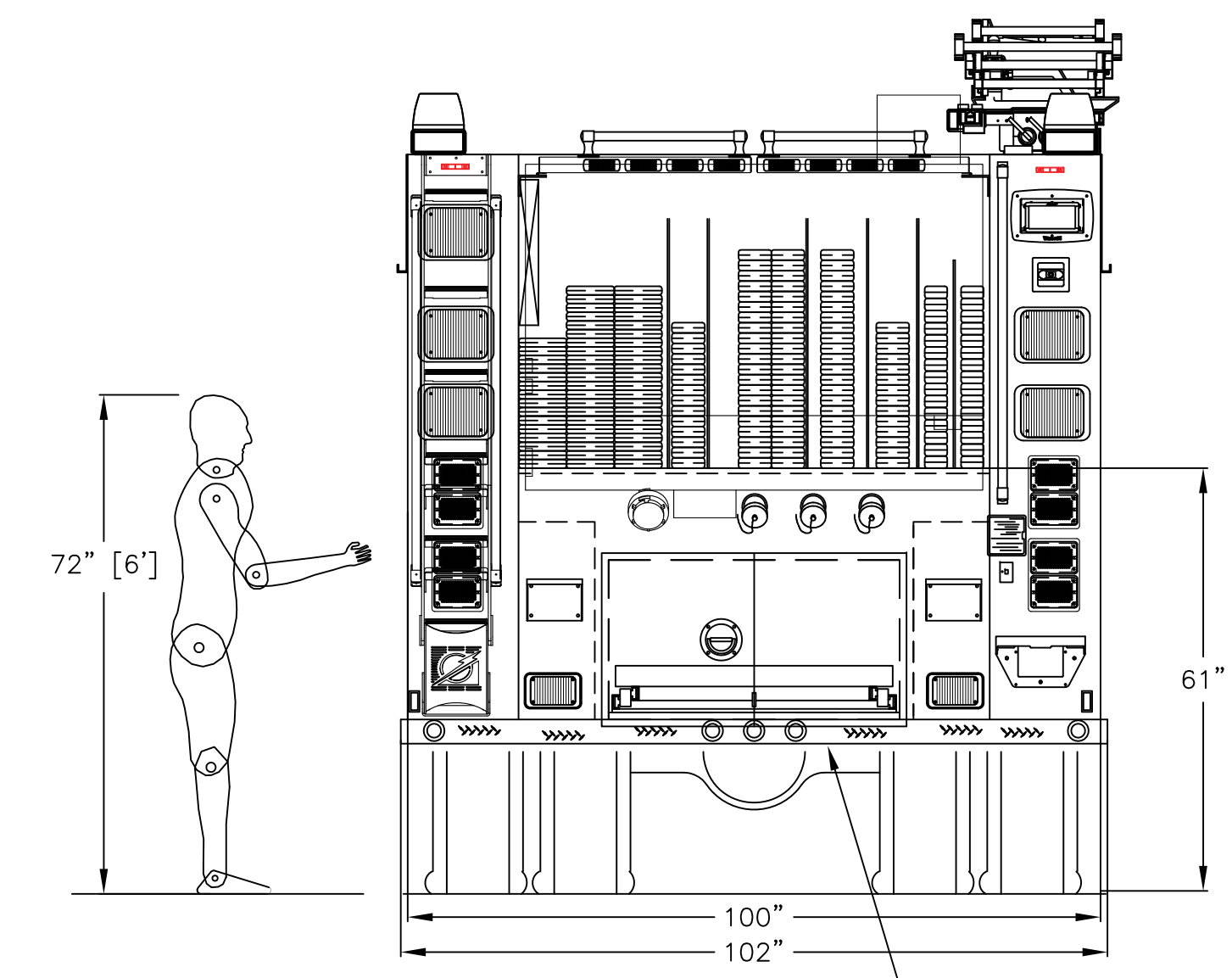
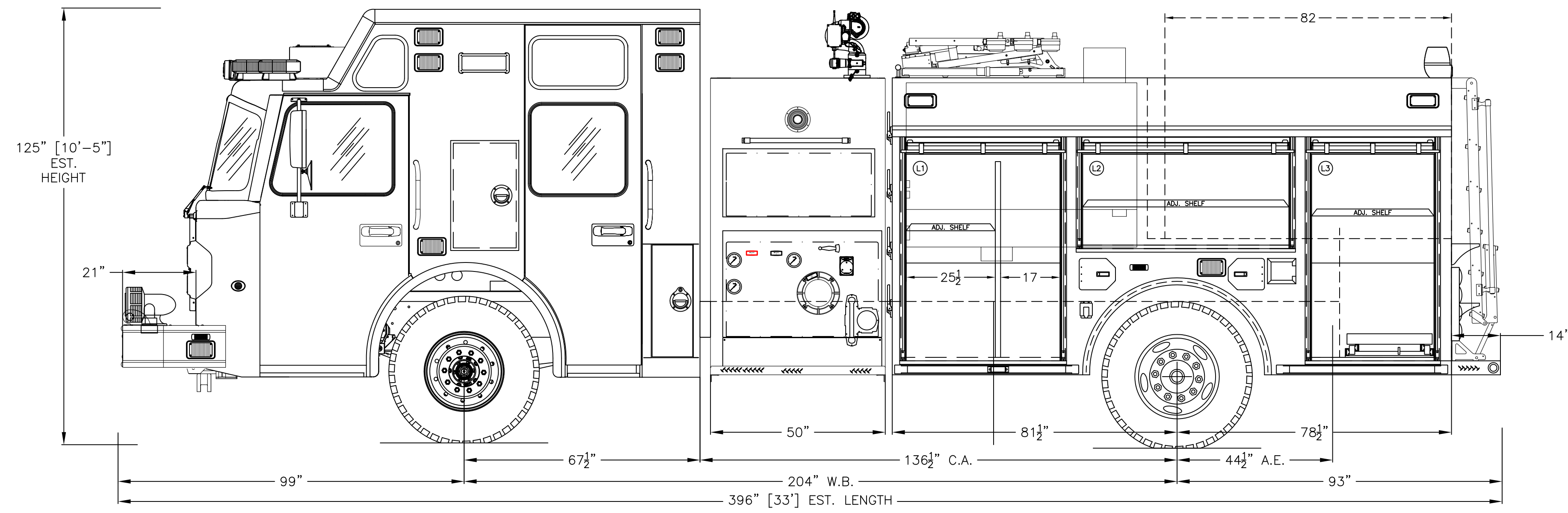


- 12' 6"
- 12' 0"
- 11' 6"
- 11' 0"
- 10' 6"
- 10' 0"
- 9' 6"
- 9' 0"
- 8' 6"
- 8' 0"
- 7' 6"
- 7' 0"
- 6' 6"
- 6' 0"
- 5' 6"
- 5' 0"
- 4' 6"
- 4' 0"
- 3' 6"
- 3' 0"
- 2' 6"
- 2' 0"
- 1' 6"
- 1' 0"
- 6"



COMPARTMENT DIMENSIONS					
COMPT.	DOOR OPENING	INTERIOR	DIVIDE HEIGHT	UPPER DEPTH	LOWER
L1/R1	44"W x 58"H	49"W x 72"H	27"	15"	26"
L2	59"W x 26"H	69"W x 38"H	N/A	15"	N/A
R2	33"W x 26"H	40"W x 38"H	N/A	15"	N/A
L3/R3	35"W x 58"H	38"W x 72"H	27"	15"	26"
T1	42"W x 22"H	46"W x 36"H	N/A	N/A	30"

GROUND LADDERS & PIKE POLES			
ITEM	DESCRIPTION	MODEL #	QTY
A	35' 3-SEC EXTENSION	1225A	1
B	16' ROOF	875A	1
C	10' FOLDING ATTIC	585A	1
D	PIKE POLE	-	3



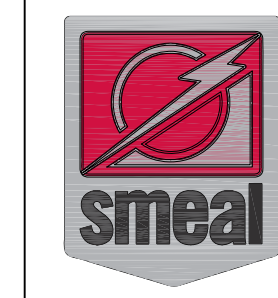
STEP ADJUSTED TO MEET NFPA STEPPING HEIGHT

NOTE:
 THIS DRAWING IS THE PROPERTY OF SMEAL FIRE APPARATUS CO. AND IS TO BE USED ONLY IN REFERENCE TO THE WORK PROPOSED OR CONTRACTED BY SMEAL FIRE APPARATUS CO. ANY REPRODUCTION IN PART OR IN WHOLE WITHOUT THE WRITTEN PERMISSION OF SMEAL FIRE APPARATUS CO. IS STRICTLY PROHIBITED.
 DIMENSIONS SHOWN ARE APPROXIMATE AND ARE SUBJECT TO CHANGE AS MAY BE FOUND NECESSARY DURING CONSTRUCTION. THIS DRAWING MUST BE PLOTTED TO THE PAPER SIZE LISTED IN THE TITLE BLOCK FOR THE LISTED SCALE TO BE VALID.
 THIS DRAWING IS FOR REFERENCE PURPOSES ONLY. SOME ITEMS MAY OR MAY NOT APPEAR ON THE DRAWING THAT MAY OR MAY NOT BE INCLUDED IN THE SPECIFICATIONS. THE SPECIFICATIONS SHALL BE THE FINAL AUTHORITY TO DETERMINE WHAT IS SUPPLIED ON THE APPARATUS.

REV	INT	DATE	REVISION HISTORY DESCRIPTION
01	SDS	6/12/18	ORIGINAL LAYOUT FOR ORDER ENTRY
02	SG	6/17/19	UPDATES FROM CO

SHOP ORDER

CHASSIS: SPARTAN GLADIATOR LFD 20" RAISED ROOF
 ENGINE: CUMMINS X15 565HP WITH ALLISON 4000 EVS
 PUMP: WATERIOUS CMUC20 2250 GPM (RATED @ 1750 IGPM)
 WATER TANK: 500 IMPERIAL GAL
 FOAM CELL: 50 IMPERIAL GAL
 BODY MATERIAL: 3/16" ALUMINUM
 HOSE BED: 150 CUBIC FEET
 GENERATOR: HONDA 6.5 Kw
 COMPARTMENTS: 132 CUBIC FEET



SMEAL FIRE APPARATUS CO.
 610 W 4TH ST
 SNYDER, NE
 PHONE: (402) 568-2224
 WWW.SMEAL.COM

CITY OF BURNABY BURNABY, BC	
MODEL: SIDE MOUNT PUMPER	
DEALERSHIP: SAFETEK EMERGENCY VEHICLES	
SCALE: 1/2" = 1'	DRAWN BY: S. STUMPE DATE: 6/12/18
SIZE: 24" X 36"	DRAWING NO: S4922 REV: 01
SHEET: 1 OF 1	