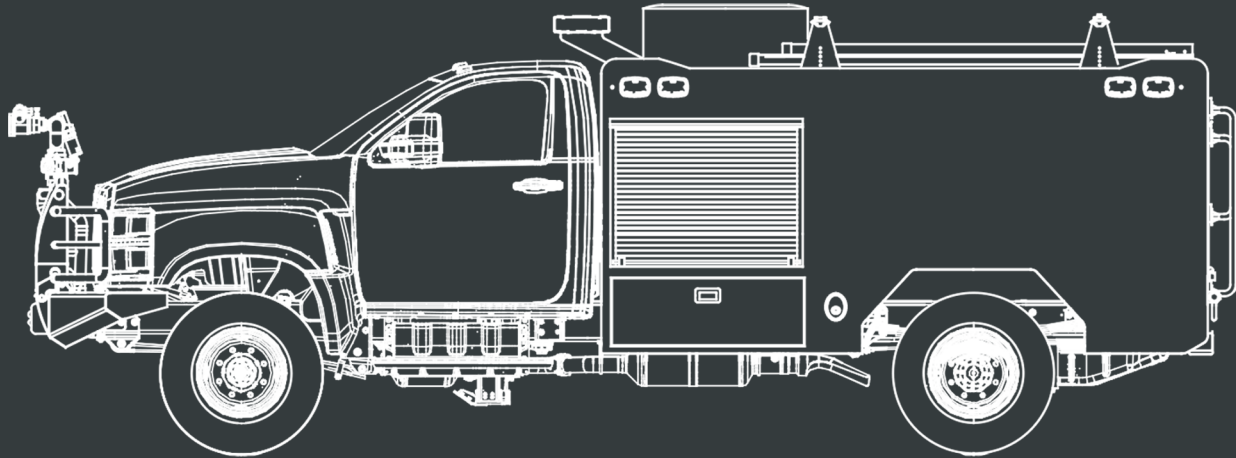




SAFETEK PROFIRE



# WILDLAND 4

The Most Remarkable Type 4 Wildland Engine.



[firetrucks.ca/demo/wildland4](https://firetrucks.ca/demo/wildland4)

Scan to learn more.

SERVING THOSE WHO KEEP OUR COMMUNITIES **SAFE**

[@](#) [f](#) [d](#) [X](#) [v](#) | @SafetekProfire

Visit us at [firetrucks.ca](https://firetrucks.ca)

# WILDLAND 4

## SPECIFICATIONS

### INITIAL ATTACK

- 600 gallons water
- 15 gallons foam
- High-strength polypropylene integrated to the body

### CHASSIS

- International CV Series 515 4x4. 175" WB, 60" CA.
- Engine: International® 6.6 V8 Turbo-charged Diesel. Engine:
  - 350 hp @ 2700 RPM.
  - 700 lb. - ft. torque @1600 RPM.
- Transmission: Allison 2750 EVS.
- GVWR 23.000Lbs.
- Tire Size: 255/70R22.5.
- Spare tire included.
- Heavy duty bumper.

### PUMP [OPTIONS]

- CBP 250gpm
- Darley HM250 / 350. PTO activated.
- Electric Priming System NFPA Rate.
- Pump and Roll Capable.

### FOAM PROPORTIONING SYSTEM

- Trident FOAMATE.
- Around-The-Pump system. Class A.

### AUXILIARY PUMP

- Options: Hale / Darley. Diesel / Gasoline engine
- MONITOR OPTIONS: Elkhart Brass 8495 Akron Forestry 3462 Cab controlled.
- Located in front bumper.

### HOSE REEL

- Electric Hose Reel.
- Hannay Reel
- 100ft 1" booster hose. Located in rear compartment

### BODY AND COMPARTMENTS

- Lightweight integrated construction.
- Compartment Storage: 2 per side, fully customizable. Option: Isolated Chainsaw compartment.
- Aluminum roll-up doors. Enclosed rear mount PTO pump

### INTAKES/DISCHARGES

- High flow TIG welded stainless steel discharge and suction manifolds.
- Rear Discharges:
  - ·2 x 1 1/2"\*
  - ·1 x 1"\*
  - ·1 x 1"\* - Hose reels
- Front Discharges:
  - ·1 x 2" - Monitor
  - ·1x 1 1/2"\*
- Side Discharges:
  - ·2 x 1 1/2"
- Suction: 2.1/2"
- Tank Fill: 1x 2"\*
- Valves options: Akron, Elkhart Brass, Trident.

### PRESSURE GOVERNOR:

- FRC - Model: PBA400

### LIGHTING

- Emergency and priority Whelen lighting package.
- According to NFPA requirements. Scene lights, 2 per side.
- Transit lighting according to law.

### ROOF

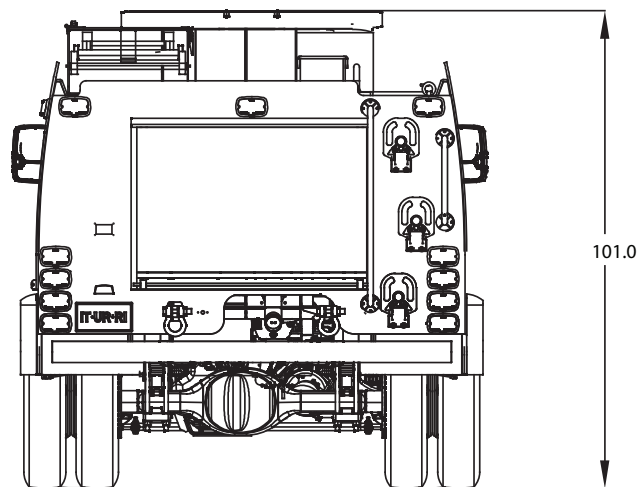
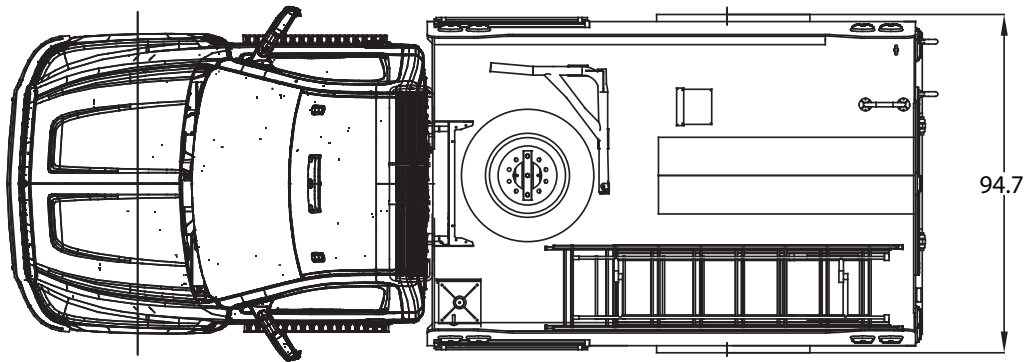
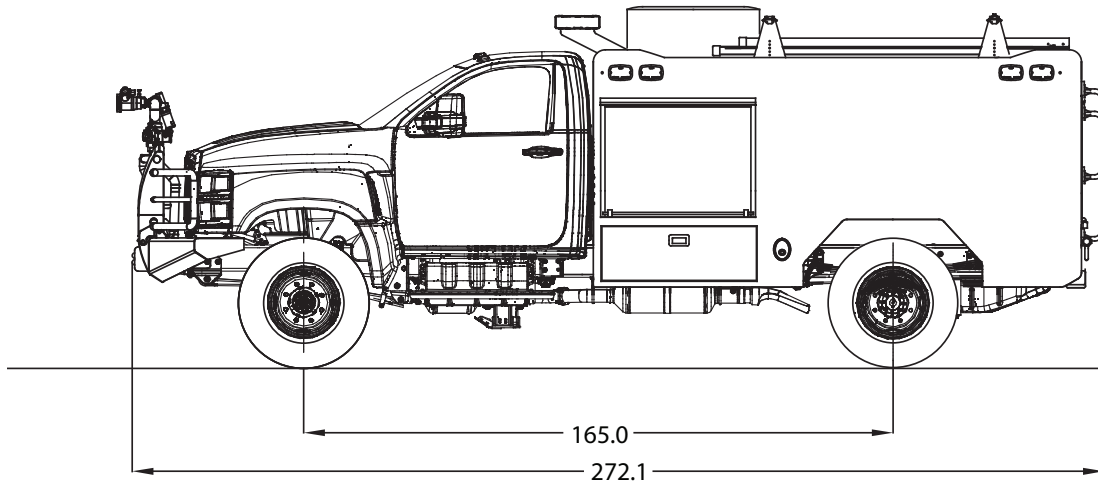
- Hose storage area that meet the NFPA 1901 requirements. Section 6.7, chapter 6. Initial Attack Apparatus.
- Ladder Duo Safety 912-3 20ft Roof Ladder Rack.
- Hoist support for spare tire.

\*Specifications subject to change.



# WILDLAND 4

## DRAWINGS



\*Specifications subject to change.