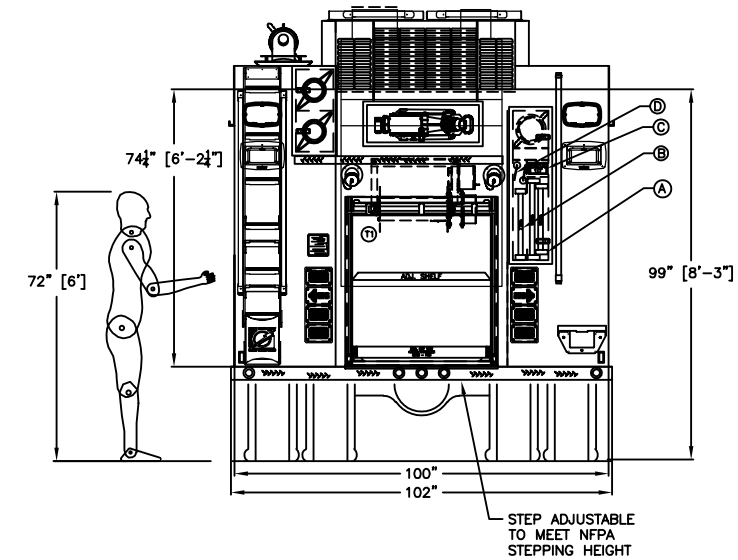
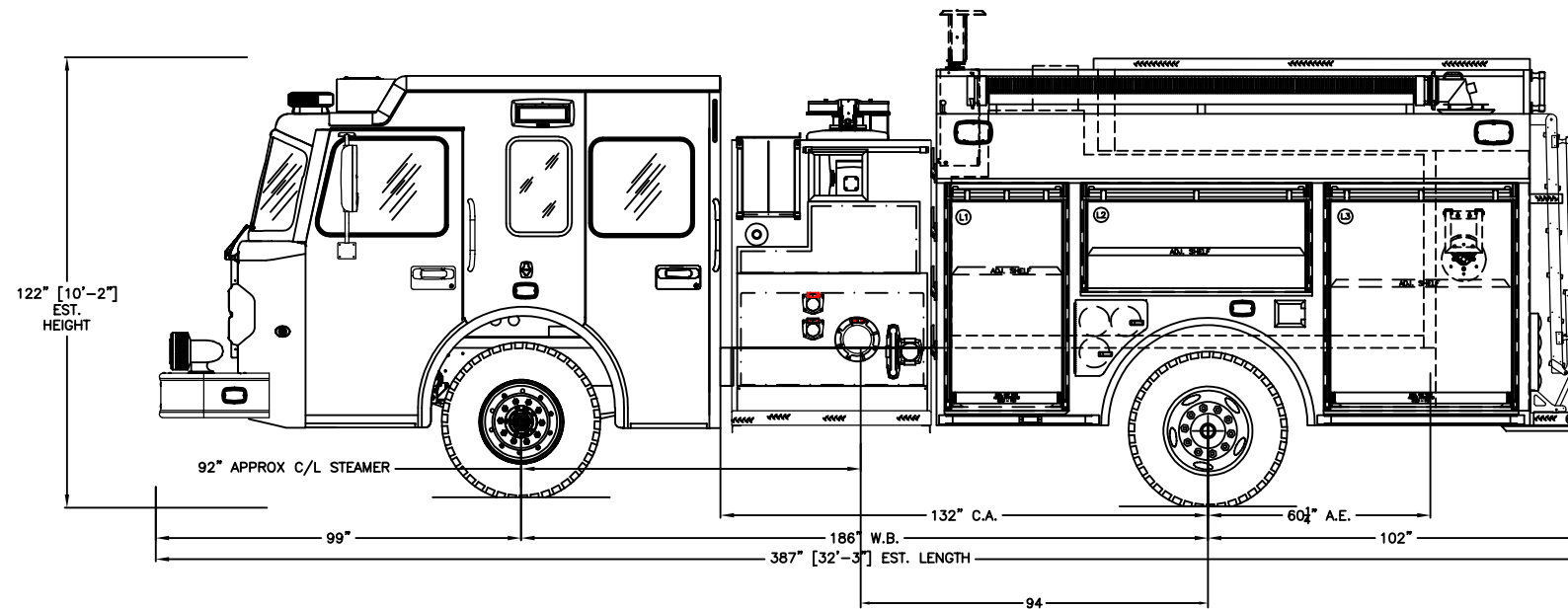


COMPT.	DOOR OPENING	INTERIOR	DMDE HEIGHT	DEPTH	WIDTH
L1	30" W x 55.5" H	36" W x 72" H	N/A	26"	26"
L2	59" W x 23.5" H	69" W x 38" H	N/A	26"	N/A
L3	49" W x 55.5" H	50" W x 72" H	N/A	26"	26"
R1	30" W x 55.5" H	36" W x 72" H	27"	15"	26"
R2	59" W x 23.5" H	69" W x 38" H	N/A	15"	N/A
R3	49" W x 55.5" H	50" W x 72" H	27"	15"	26"
T1	37" W x 39" H	46" W x 44" H	N/A	25"	25"

ITEM	DESCRIPTION	MODEL #	QTY
A	24" 2-SEC EXTENSION	900-A	1
B	14" ROOF	775-A	1
C	10' FOLDING ATTIC	585-A	1
D	PIKE POLE	-	3



**NOTE:**  
 THIS DRAWING IS THE PROPERTY OF SPARTAN MOTORS USA AND IS TO BE USED ONLY IN REFERENCE TO THE WORK PROPOSED OR CONTRACTED BY SPARTAN MOTORS USA ANY REPRODUCTION IN PART OR IN WHOLE WITHOUT THE WRITTEN PERMISSION OF SPARTAN MOTORS USA IS STRICTLY PROHIBITED.  
 DIMENSIONS SHOWN ARE APPROXIMATE AND ARE SUBJECT TO CHANGE AS MAY BE FOUND NECESSARY DURING CONSTRUCTION. THIS DRAWING MUST BE PLOTTED TO THE PAPER SIZE LISTED IN THE TITLE BLOCK FOR THE LISTED SCALE TO BE VALID.  
 THIS DRAWING IS FOR REFERENCE PURPOSES ONLY. SOME ITEMS MAY OR MAY NOT APPEAR ON THE DRAWING THAT MAY OR MAY NOT BE INCLUDED IN THE SPECIFICATIONS. THE SPECIFICATIONS SHALL BE THE FINAL AUTHORITY TO DETERMINE WHAT IS SUPPLIED ON THE APPARATUS.

REV.	BY	DATE	REVISION HISTORY
01	RLP	04/14/20	PRECONSTRUCTION

**SHOP ORDER**

CHASSIS: SPARTAN METRO STAR MFD 10" RAISED ROOF  
 ENGINE: CUMMINS L9 380HP WITH ALLISON 3000 EVS  
 PUMP: WATERIOUS CSUC20 2000 GPM  
 WATER TANK: 1000 U.S. GAL  
 FOAM CELL: 30 U.S. GAL  
 BODY MATERIAL: 1/8" ALUMINUM  
 HOSE BED: 57 CUBIC FEET  
 GENERATOR: ONAN 8KW  
 COMPARTMENTS: 178 CUBIC FEET



**SMEAL**  
 A SPARTAN MOTORS BRAND  
 610 W 4TH ST  
 SNYDER, NE  
 PHONE: (402) 568-2224  
 WWW.SMEAL.COM

LINCOLN, TOWN OF BEAMSVILLE, ON	
MODEL: SIDE MOUNT PUMPER	
DEALERSHIP: SAFETEK EMERGENCY VEHICLES	
SCALE: 1/2" = 1'	DRAWN BY: R PEDE. DATE: 04/14/2020
SIZE: 24" X 36"	DRAWING NO: S5118
SHEET: 1 OF 1	REV: 01