

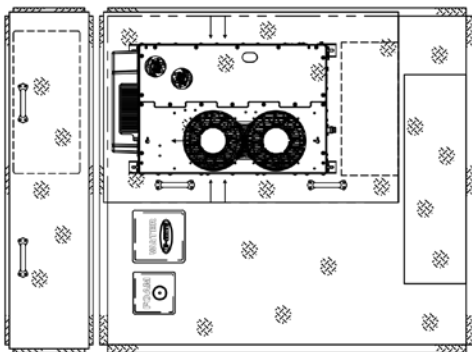
# PUMPER VECTOR EV CHASSIS

5000 LPM WATEROUS CS PUMP 550 IMPERIAL GALLON WATER TANK 30 IMPERIAL GALLON CLASS "A" FOAM	HOSE LOAD:	
	500' OF 2.50" DJ	
	1000' OF 5.00" LDH	

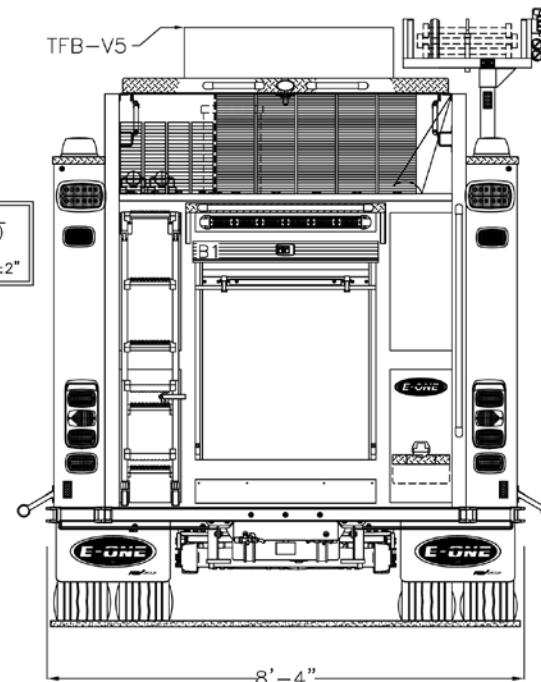
COMPT.	OPENING		INTERIOR DIMENSION			
L1/R1	42W	50H	44W	3H	12D	UPPER
			44W	47H	26D	LOWER
L2	54W	25H	56W	3H	12D	UPPER
			56W	22H	26D	LOWER
R2	31W	25H	33W	3H	12D	UPPER
			33W	22H	26D	LOWER
L3/R3	48W	50H	33W	3H	12D	UPPER
			33W	47H	26D	LOWER
B1	36W	36H	38W	45H	26D	

THIS DRAWING IS FOR REFERENCE PURPOSES. ALL DIMENSIONS ARE SUBJECT TO MINOR VARIATIONS DUE TO MANUFACTURING PROCESSES.

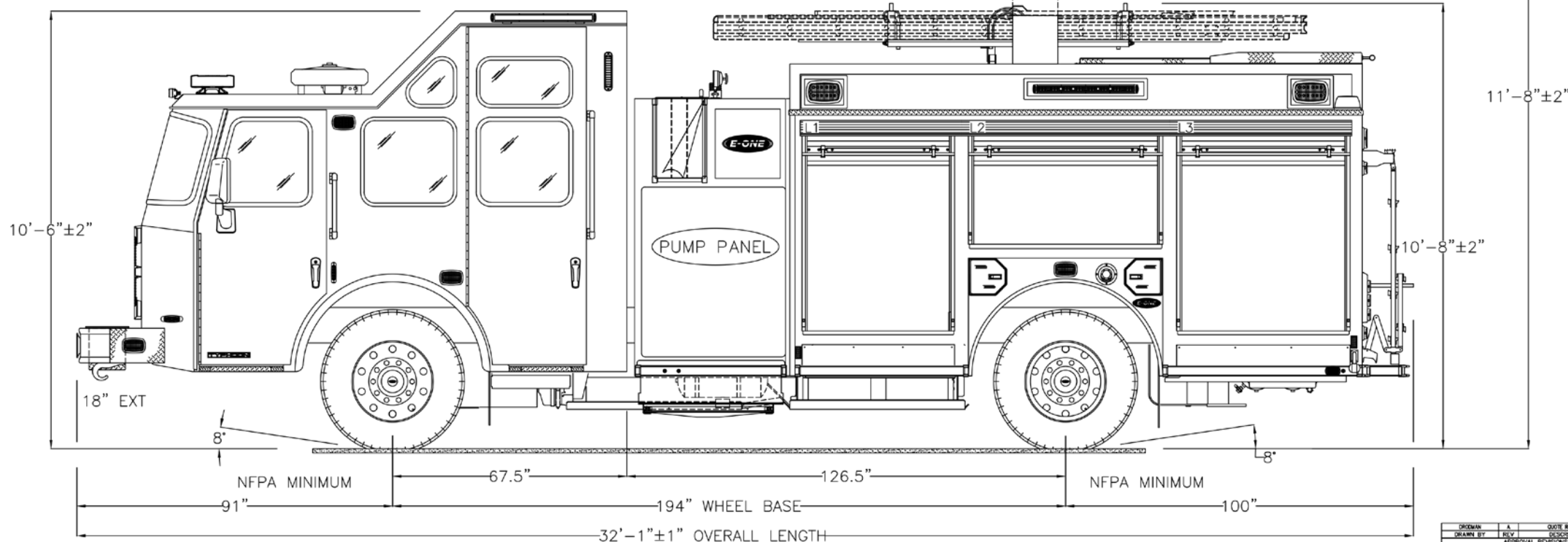
This print is the property of E-ONE, Inc. and is loaned to you subject to return on demand, unless otherwise agreed to in writing by E-ONE, Inc. Its contents are confidential and must not be copied or submitted to third parties for use or examination.



HOSEBED HEIGHT:  
(FOR REFERENCE ONLY)  
TO TAILBOARD: 66"  
TO GROUND: 90±2"



8'-4"



10'-6"±2"

11'-8"±2"

10'-8"±2"

18" EXT

8"

NFPA MINIMUM

91"

67.5"

194" WHEEL BASE

126.5"

NFPA MINIMUM

100"

8"

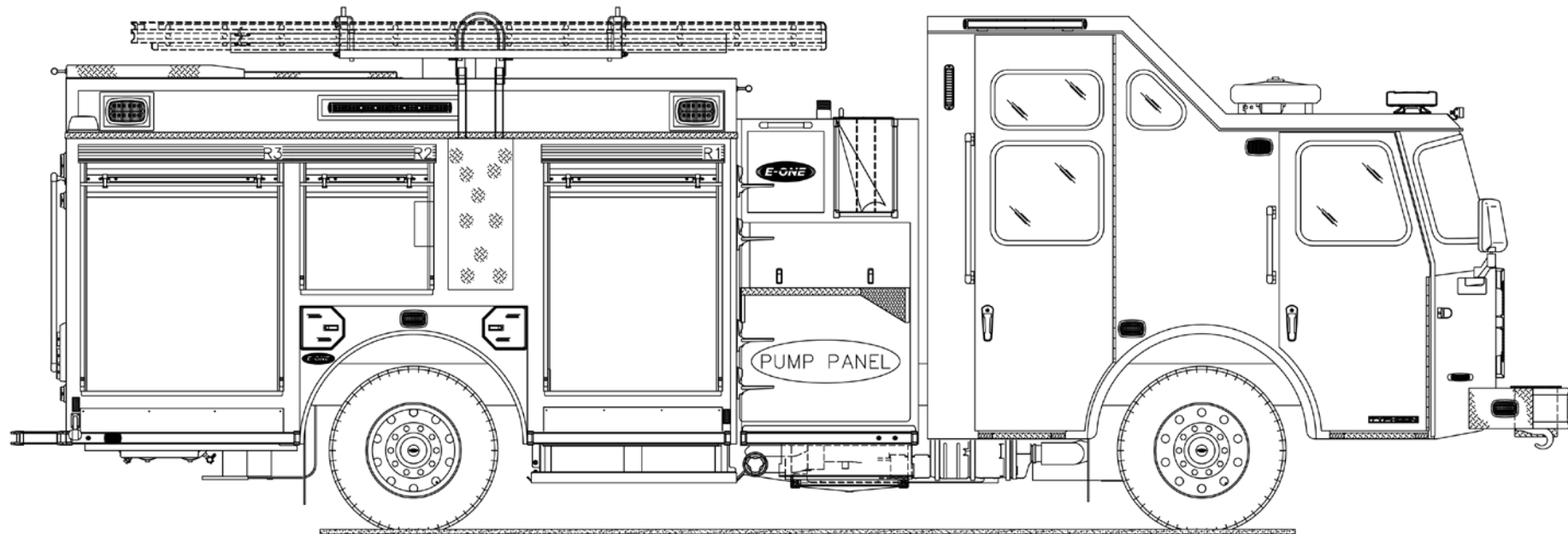
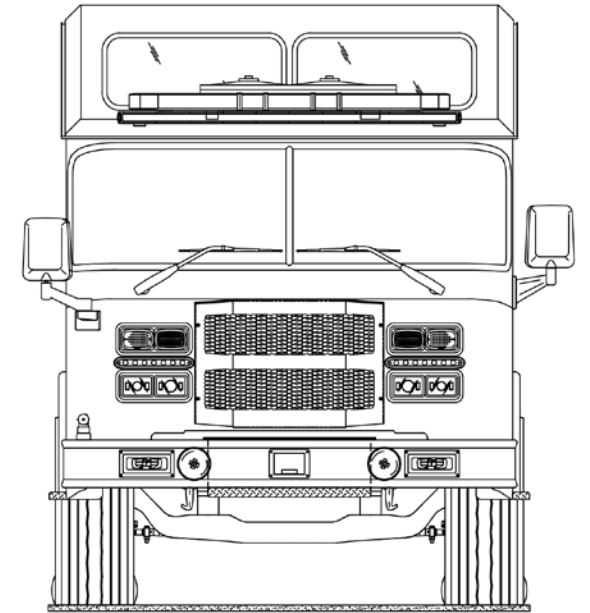
32'-1"±1" OVERALL LENGTH

DRAWN	A	QUOTE REVIEW 2	2021-DEC-10	DRAWN
DRAWN BY	REV	DESCRIPTION	DATE	APPROVED
				APPROVAL SIGNATURE

# PUMPER VECTOR EV CHASSIS

THIS DRAWING IS FOR REFERENCE PURPOSES. ALL DIMENSIONS ARE  
SUBJECT TO MINOR VARIATIONS DUE TO MANUFACTURING PROCESSES.

This print is the property of E-ONE, Inc. and is loaned to you  
subject to return on demand, unless otherwise agreed to in writing by  
E-ONE, Inc. Its contents are confidential and must not be  
copied or submitted to third parties for use or examination.



DRAWN	A	QUOTE REVIEW 2	2021-DEC-10	DRAWN
DRAWN BY	REV	DESCRIPTION	DATE	APPROVED
APPROVAL SIGNATURES				SHEET 2 OF 2