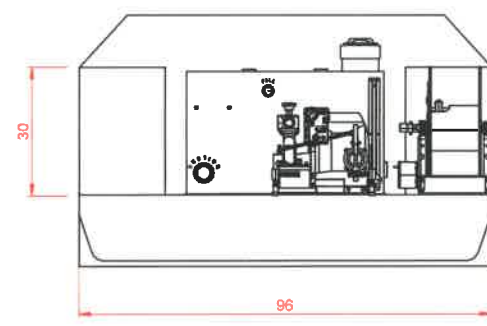
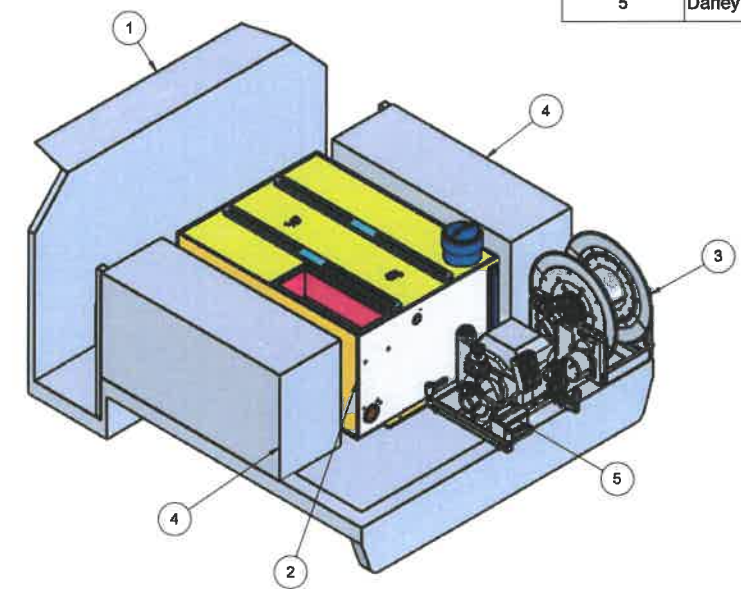
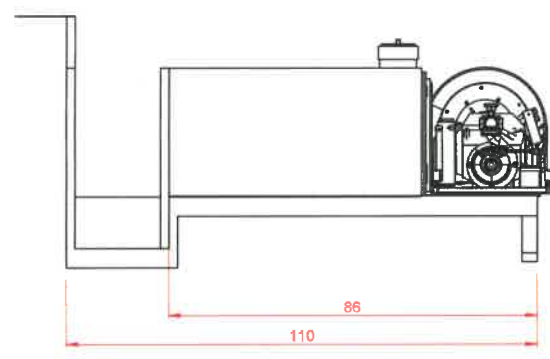
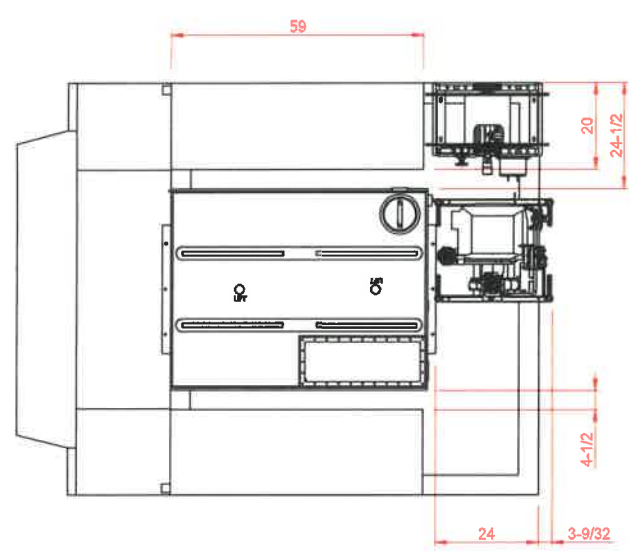


DESIGNER	CAP	09/16/2020	MATERIAL	AS NOTED		
DRAWN BY	CAP	09/16/2020	FINISH			
APPROVED BY			Notes:			
TOLERANCE DECIMAL: .0005" FRACTIONAL: ± 1/16" DIMENSIONS ARE IN INCHES UNLESS OTHERWISE NOTED ANGULAR: ± 1° .XXX = .005 DEBURR AND BREAK ALL EDGES						
 111 E. Pacific, Salina, KS 785-825-9527						
SIZE	B	SCALE	1:28	PART NO.	20-519	
SHEET		DWG. SHEET	1 OF 1	STD	03/20/2020	
TITLE	Safetek Bed Layout				REV	-
					REV	-



ITEM NO.	PART NUMBER	QTY.
1	Weis Bed 110x96 with Walkway	1
2	300galDef2CE	1
3	EF-20-30-31	1
4	59Wx30Hx20D	2
5	Darley 2BE 21H	1

THE INFORMATION CONTAINED IN THIS DRAWING IS THE SOLE PROPERTY OF WEIS FIRE AND SAFETY. ANY REPRODUCTION IN PART OR IN WHOLE WITHOUT THE WRITTEN PERMISSION OF WEIS FIRE AND SAFETY IS PROHIBITED.

REVISIONS				
ZONE	REV.	DESCRIPTION	DATE	REVISED BY

1 1 2 2