

SUNCOR ENERGY INC. FORT McMURRAY, ALBERTA

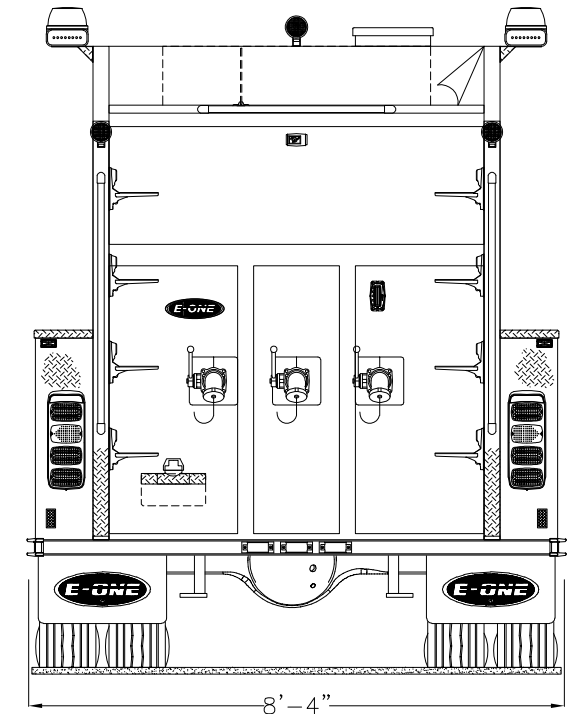
QUOTE # 98256

COMMERCIAL TANDEM TANKER KENWORTH 2-DR T880 6X4 CHASSIS

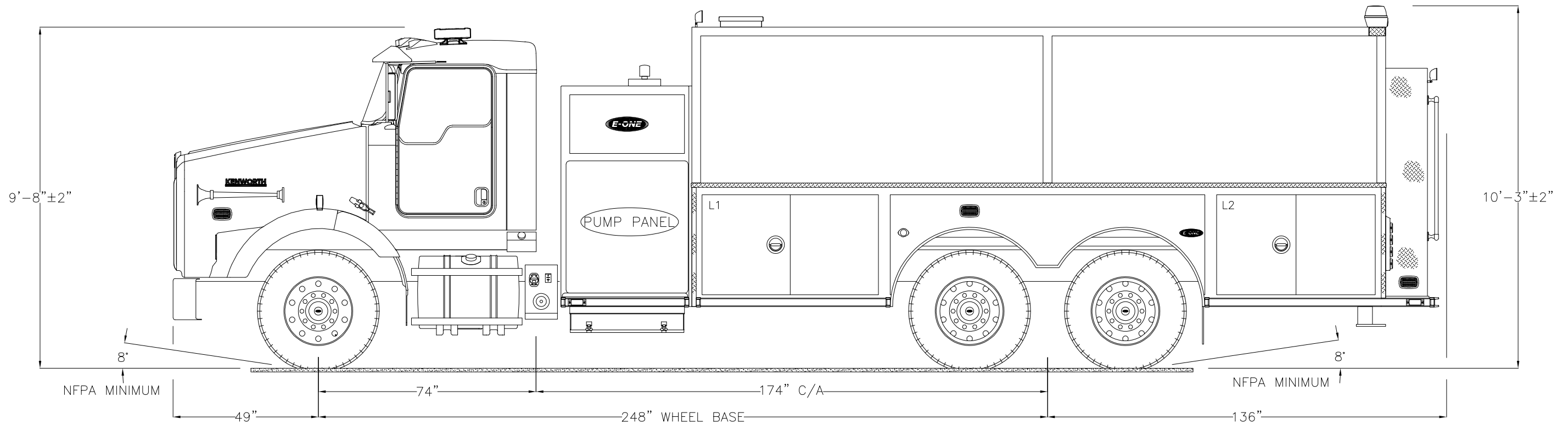
300 GPM TRIDENT FOAM TRANSFER PUMP					HOSE LOAD:	
3030 GALLON FOAM "B" TANK					NFPA 55 CU FT MIN CAP	
L1/R1	60W	34H	60W	34H	26D	
L2/R2	54W	34H	54W	34H	26D	

THIS DRAWING IS FOR REFERENCE PURPOSES. ALL DIMENSIONS ARE SUBJECT TO MINOR VARIATIONS DUE TO MANUFACTURING PROCESSES.

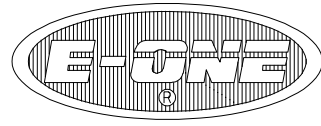
This print is the property of E-ONE, Inc. and is loaned to you subject to return on demand, unless otherwise agreed to in writing by E-ONE, Inc. Its contents are confidential and must not be copied or submitted to third parties for use or examination.



HOSEBED HEIGHT:
(FOR REFERENCE ONLY)
TO TAILBOARD: 81"
TO GROUND: 105"



HAYDEN	A	INITIAL RELEASE	2019-AUG-01	HAYDEN
DRAWN BY	REV	DESCRIPTION	DATE	APPROVED
APPROVAL REVISIONS				



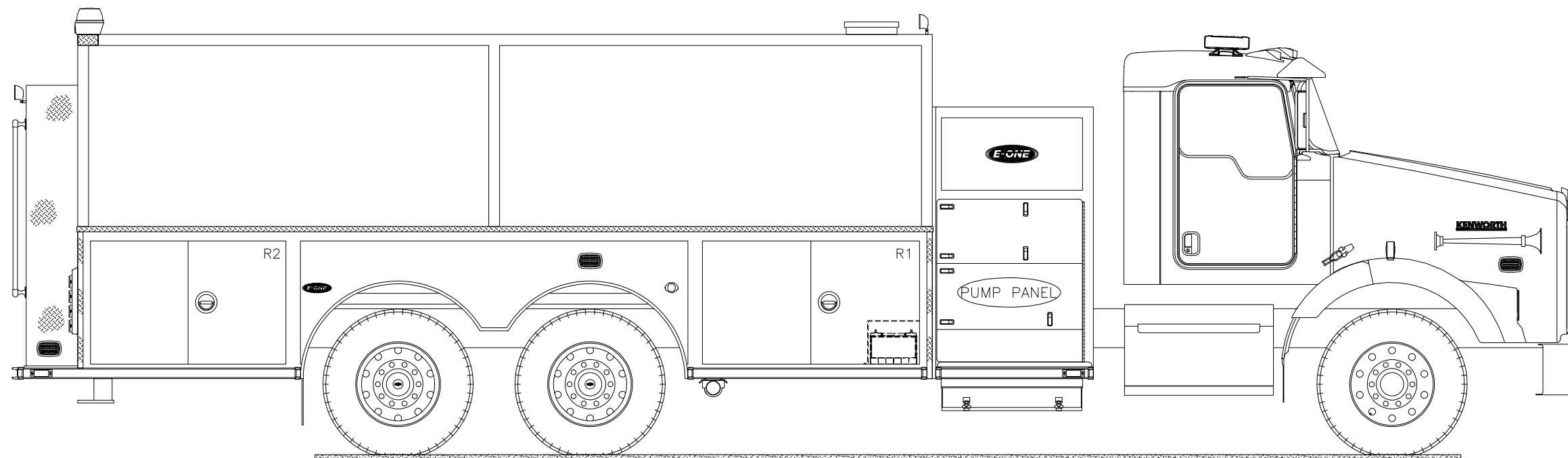
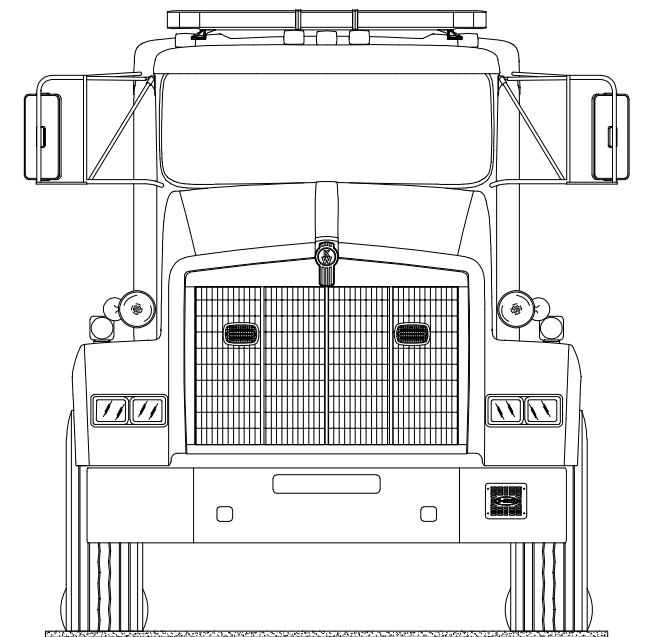
SUNCOR ENERGY INC. FORT MCMURRAY, ALBERTA

QUOTE # 98256

COMMERCIAL TANDEM TANKER
KENWORTH 2-DR T880 6X4 CHASSIS

THIS DRAWING IS FOR REFERENCE PURPOSES. ALL DIMENSIONS ARE
SUBJECT TO MINOR VARIATIONS DUE TO MANUFACTURING PROCESSES.

This print is the property of E-ONE, Inc. and is loaned to you
subject to return on demand, unless otherwise agreed to in writing by
E-ONE, Inc. Its contents are confidential and must not be
copied or submitted to third parties for use or examination.



WHAYDEN	A	INITIAL RELEASE	2019-AUG-01	WHAYDEN
DRAWN BY	REV	DESCRIPTION	DATE	APPROVED
		APPROVAL REVISIONS		SHEET 2 OF 2