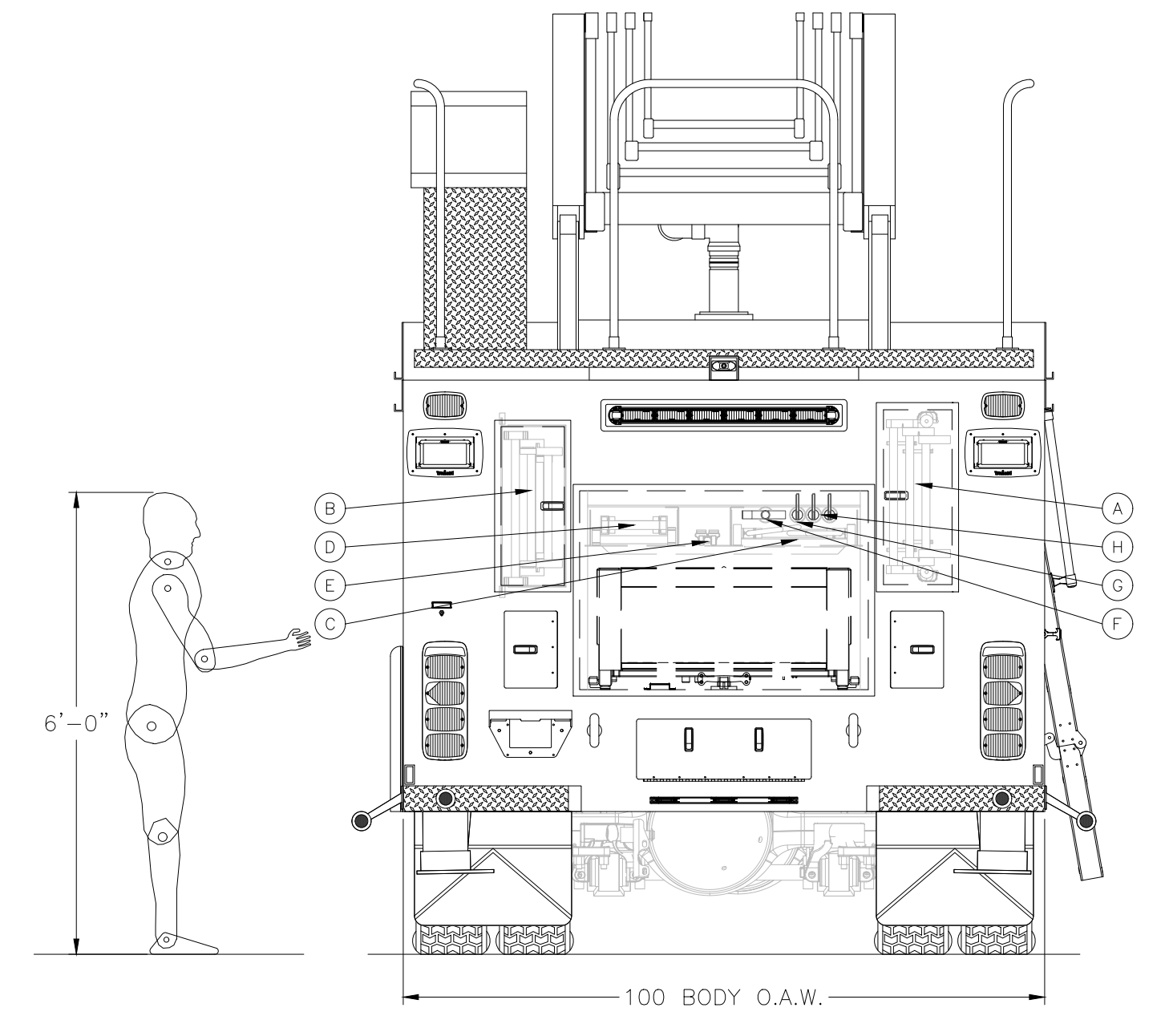
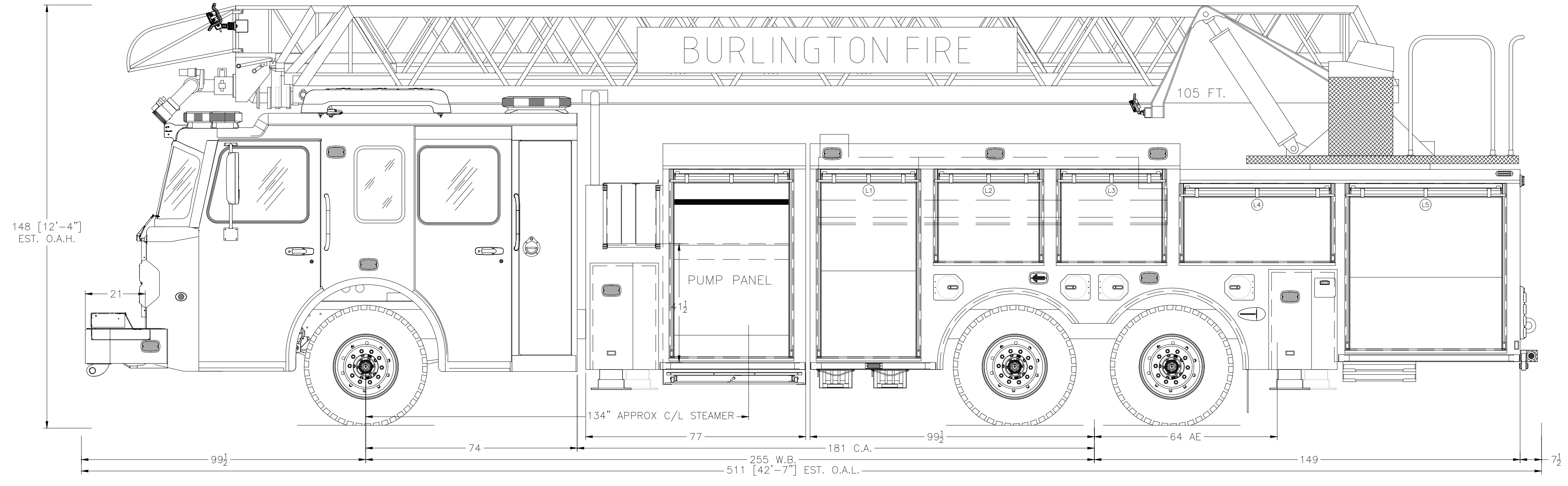


COMPARTMENT DIMENSIONS					
COMPT.	DOOR OPENING	INTERIOR	DIVIDE HEIGHT	UPPER DEPTH	LOWER
L1	33"W x 60"H	38.5"W x 74.5"H	30"	14"	23"
L2	35"W x 27"H	43"W x 41"H	—	14"	14"
L3	35"W x 27"H	48"W x 41"H	—	14"	14"
L4	51"W x 22"H	54"W x 32"H	—	14"	14"
L5	53"W x 53"H	60"W x 62.75"H	25"	14"	24"
R1	33"W x 60"H	38.5"W x 74.5"H	30"	13"	23"
R2	35"W x 27"H	43"W x 41"H	—	13"	13"
R3	35"W x 27"H	48"W x 41"H	—	13"	13"
R4	51"W x 22"H	54"W x 32"H	—	13"	13"
R5	29"W x 53"H	38.5"W x 62.75"H	25"	13"	24"

GROUND LADDERS & PIKE POLES				
ITEM	DESCRIPTION	MODEL #	QTY	
A	45' 3 SEC. EXTENSION	1525-A	1	
B	35' 3 SEC. EXTENSION	1225-A	1	
C	16' ROOF	875-A	1	
D	14' FRESNO ATTIC	701	1	
E	10' FOLDING ATTIC	585-A	1	
F	8' NY ROOF HOOK	RH-8	1	
G	8' PIKE POLE	NHF-8	1	
H	12' PIKE POLE	NHF-12	2	
BASE	16' ROOF	875-A	1	
FLY	J	8' NY ROOF HOOK	RH-8	1



NOTE:
 THIS DRAWING IS THE PROPERTY OF SPARTAN FIRE, LLC AND IS TO BE USED ONLY IN REFERENCE TO THE WORK PROPOSED OR CONTRACTED BY SPARTAN FIRE, LLC ANY REPRODUCTION IN PART OR IN WHOLE WITHOUT THE WRITTEN PERMISSION OF SPARTAN FIRE, LLC IS STRICTLY PROHIBITED.
 DIMENSIONS SHOWN ARE APPROXIMATE AND ARE SUBJECT TO CHANGE AS MAY BE FOUND NECESSARY DURING CONSTRUCTION. THIS DRAWING MUST BE PLOTTED TO THE PAPER SIZE LISTED IN THE TITLE BLOCK FOR THE LISTED SCALE TO BE VALID.
 THIS DRAWING IS FOR REFERENCE PURPOSES ONLY. SOME ITEMS MAY OR MAY NOT APPEAR ON THE DRAWING THAT MAY OR MAY NOT BE INCLUDED IN THE SPECIFICATIONS. THE SPECIFICATIONS SHALL BE THE FINAL AUTHORITY TO DETERMINE WHAT IS SUPPLIED ON THE APPARATUS.

REVISION HISTORY			
REV.	INT.	DATE	DESCRIPTION
01	CL	4/15/21	ORIGINAL LAYOUT

PROPOSAL

CHASSIS: SPARTAN GLADIATOR ELFD 5" RAISED ROOF
 ENGINE: CUMMINS X12 500HP WITH ALLISON 4000 EVS
 PUMP: WATEROUS CSUC20 2250 RATED AT 7000 LPM
 WATER TANK: 400 IMP GAL (480 U.S. GAL)
 FOAM CELL: N/A
 BODY MATERIAL: 304 STAINLESS STEEL
 HOSE BED: 600' OF 4" / 39 CUBIC FEET
 GENERATOR: N/A
 COMPARTMENTS: 161 CUBIC FEET



CITY OF BURLINGTON BURLINGTON, ON			
MODEL:	105' REAR MOUNT AERIAL (S34RL-105)		
DEALERSHIP:	SAFETEK EMERGENCY VEHICLES		
SCALE:	1/2" = 1'	DRAWN BY:	CL
		DATE:	4/15/21
SIZE:	24" X 36"	DRAWING NO.:	21237
SHEET:	1 OF 1	REV:	01