



SAFETEK PROFIRE



## SAFETEK STOCK PUMPER 2108



Scan to learn more.

[firetrucks.ca/demo/safetek-stock-pumper-2108](https://firetrucks.ca/demo/safetek-stock-pumper-2108)

SERVING THOSE WHO KEEP OUR COMMUNITIES **SAFE**

[@](#) [f](#) [j](#) [X](#) [v](#) | @SafetekProfire  
Visit us at [firetrucks.ca](https://firetrucks.ca)

# SAFETEK STOCK PUMPER 2108

## SPECIFICATIONS

### CHASSIS

- Spartan Metro Star MFD 10" Raised Roof
- Seating Capacity 6
- Cummins ISL 380 HP
- Allison 3000 EVS Transmission
- Extreme Duty Interior
- Front: 18,000 lbs Rear: 24,000 lbs.
- 24" Front Bumper Extension
- 176" Wheelbase
- Rearview Backup Camera
- Goodyear Tires
- Dual Air Horns

### PUMP & PLUMBING

- Hale DSD 1500 GPM Pump
- Class 1 TGP Plus Pressure Governor
- 1000 Gallons Tank Capacity
- 20 Gallons Foam
- (1) 2.5" Left Side Auxiliary Inlet
- SUCTION
- (1) 2.5" Left Side Discharge
- (1) 2.5" Right Side Discharge
- (1) 3" Right Side Discharge w/4" Storz
- (1) 2.5" Left Rear Discharge
- (1) 3" Deck Gun Discharge
- (2) 1.75" Crosslays
- (1) 1.5" Front Bumper Discharge

### BODY

- 168" Formed Aluminum Body
- Vibra-Torque Body Mounting System
- ROM Roll-up Doors
- Full Depth Left/Split Depth Right/Ladders Right
- Left Side Overwheel SCBA Storage
- 15" Hosebed Riser Side Walls
- Durable Compartment Finish
- LED Compartment Lighting
- Whelen LED Lighting Package
- (4) Whelen M9 LED Side Scene Lights
- (2) Whelen M9 LED Rear Scene

### COMPLIANCE

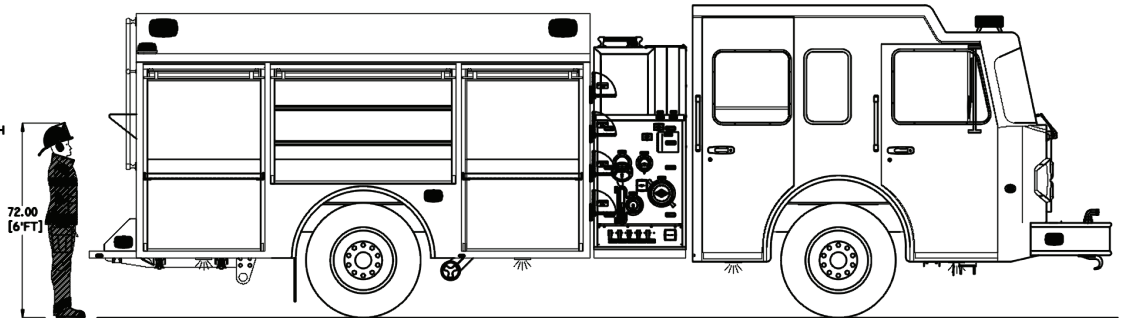
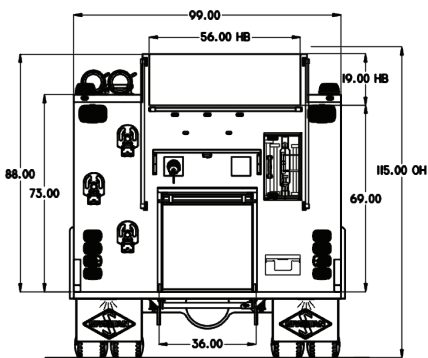
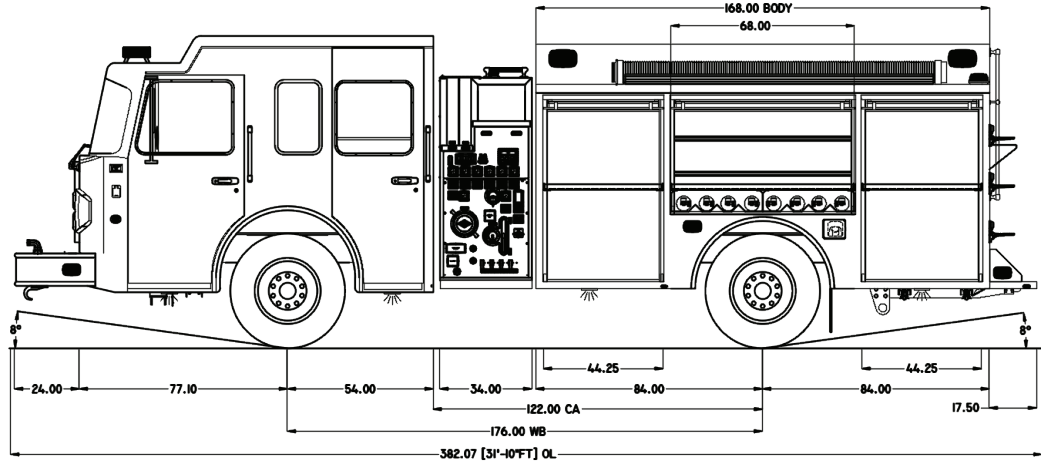
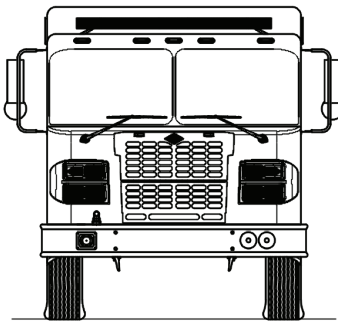
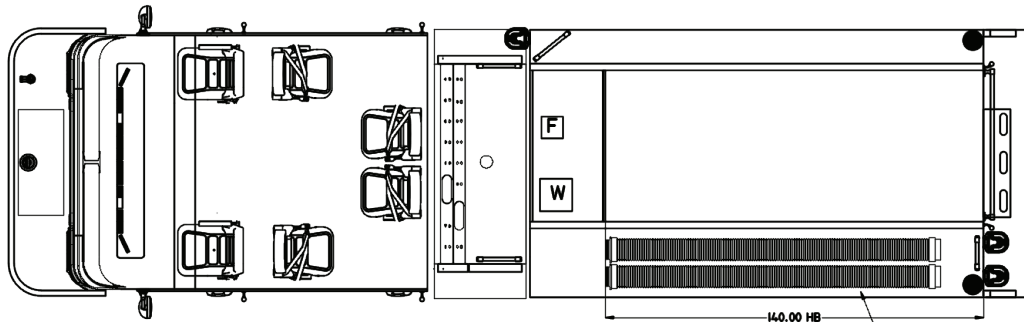
- NFPA 1901 compliant.

\*Specifications subject to change.



# SAFETEK STOCK PUMPER 2108

## DRAWINGS



\*Specifications subject to change.





\*Model not exactly as shown.