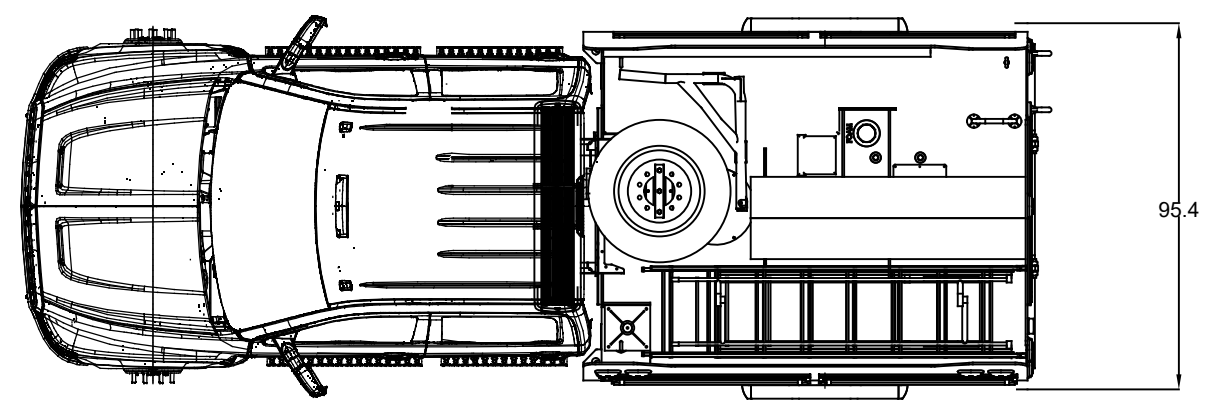
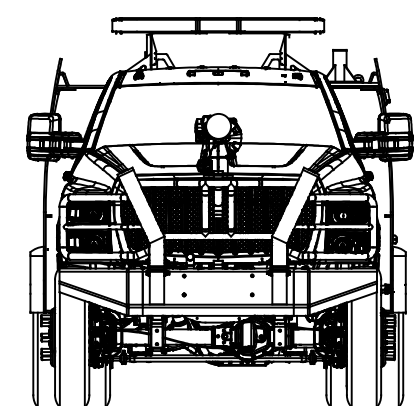
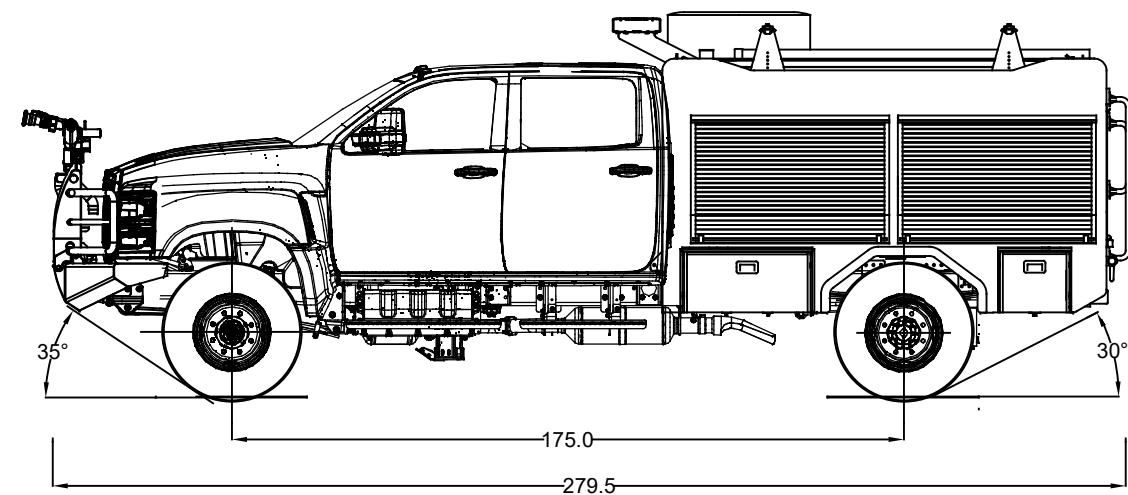
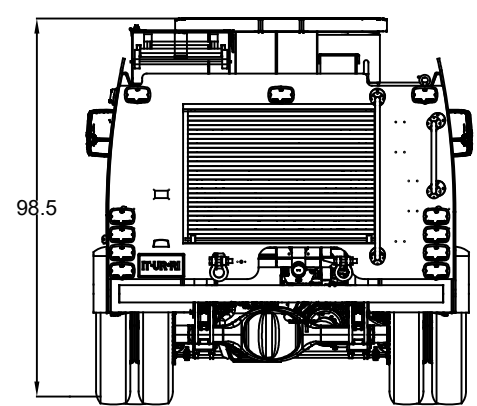


The information contained in this document is property of ITURRI, S.A. Unauthorized total or partial copy to third parties is strictly prohibited



NOTE:
 ALL MEASUREMENTS AND PERFORMANCES ARE CALCULATED
 ACCORDING TO INFORMATION SUPPLIED BY THE VEHICLE'S
 MANUFACTURER. ITURRI RESERVES THE RIGHT TO MAKE DESIGN
 MODIFICATIONS WITHOUT PRIOR NOTICE

A3	Scale: 1:50	Drawing type: General	Comments:				Unit: in	
			Name	Date	Denomination	Code:		
		Design	MJP	07/12/2022	W31A CV515 - 4X4	Sheet 1 / 1		
		Approved	MJP	07/12/2022	W31A-00-000-00			