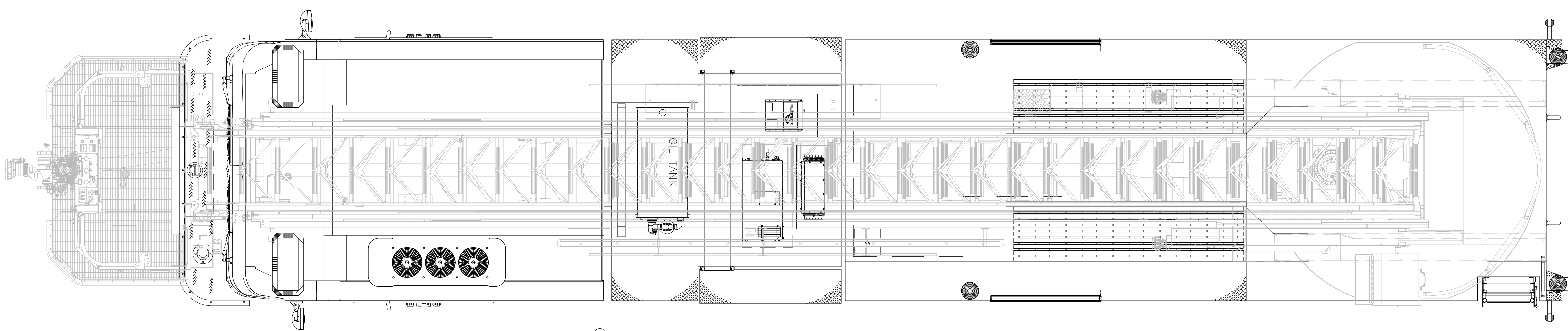
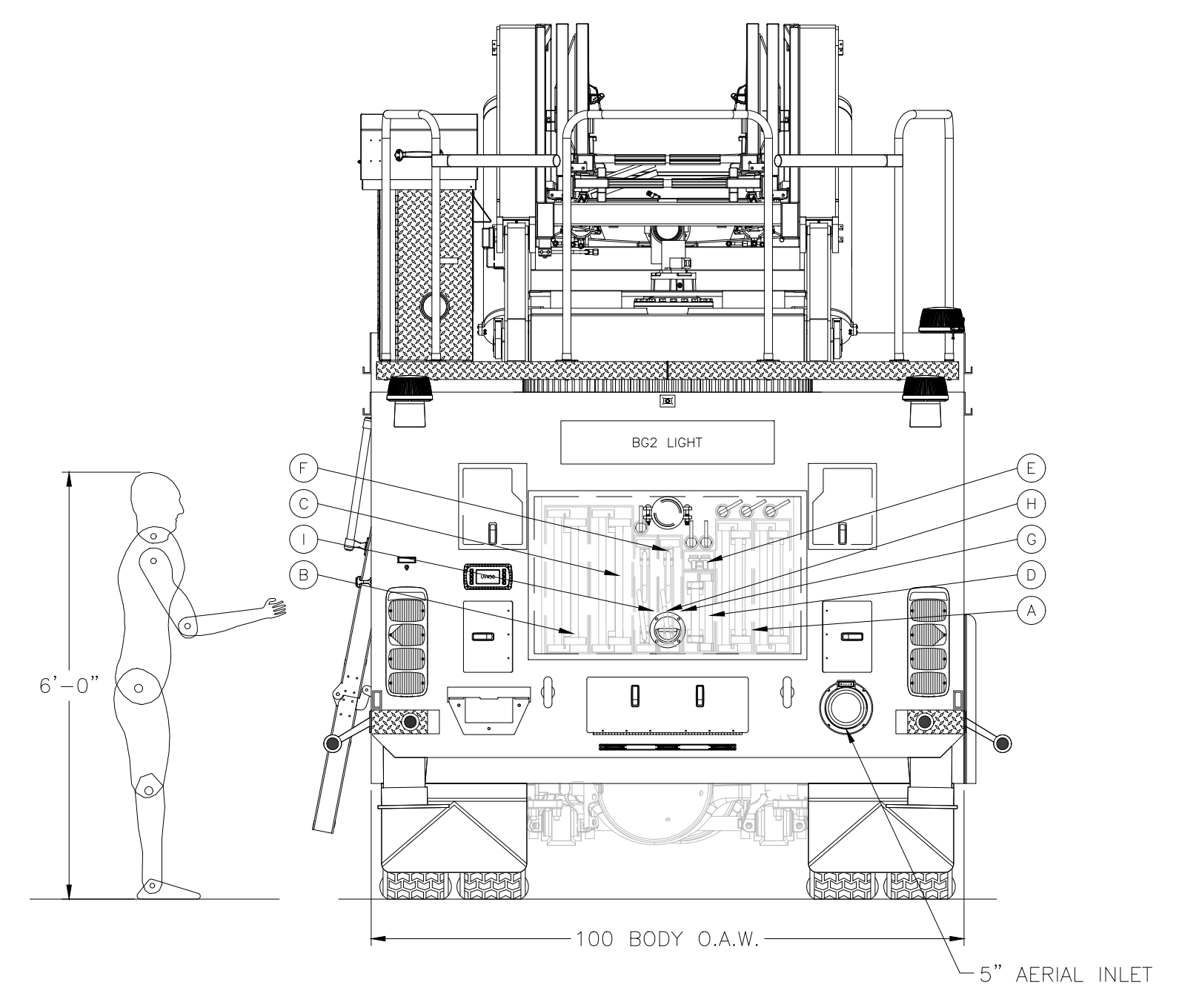
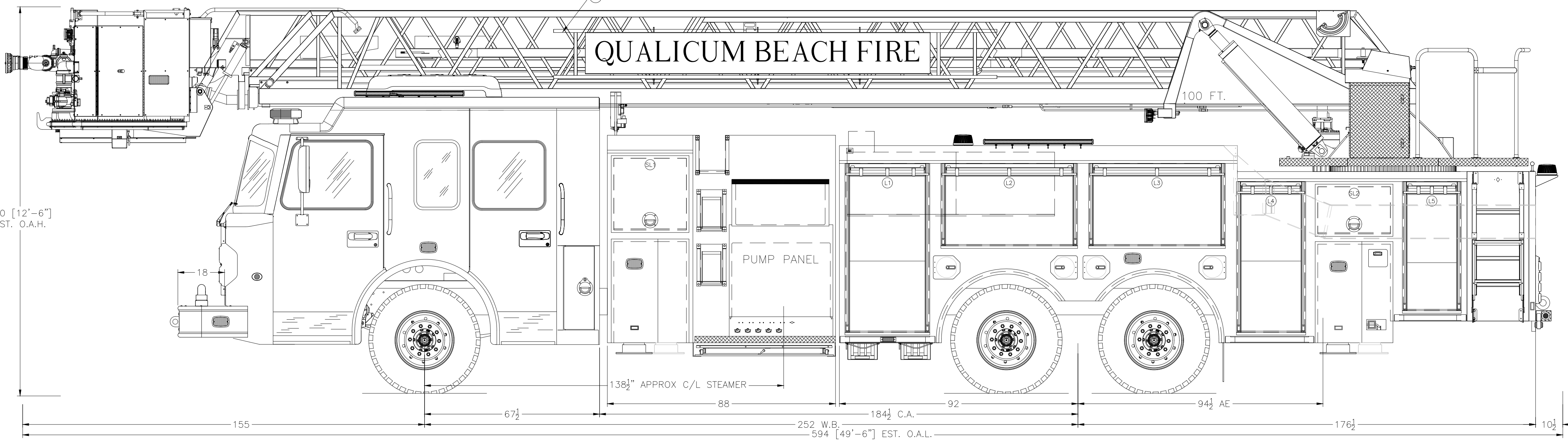


COMPARTMENT DIMENSIONS						
COMPT.	DOOR OPENING	INTERIOR	DIVIDE HEIGHT	UPPER DEPTH	LOWER	
L1	29"W x 59"H	34.5"W x 71.5"H	27"	14"	23"	
L2	49"W x 26"H	57"W x 38"H	-	14"	14"	
L3	49"W x 26"H	62"W x 38"H	-	14"	14"	
L4	23"W x 52"H	31"W x 61.5"H	27"	14"	24"	
L5	19"W x 44"H	29.5"W x 53"H	18"	14"	22"	
R1	29"W x 59"H	34.5"W x 71.5"H	27"	14"	23"	
R2	49"W x 26"H	57"W x 38"H	-	14"	14"	
R3	49"W x 26"H	62"W x 38"H	-	14"	14"	
R4	23"W x 52"H	31"W x 61.5"H	24"	14"	24"	
R5	43"W x 44"H	51"W x 53"H	15"	14"	22"	
SL1	28"W x 27"H	30.5"W x 36"H	-	22"	22"	
SR1	28"W x 27"H	30.5"W x 36"H	-	22"	22"	
SL2	28"W x 17"H	28"W x 23.5"H	-	13"	13"	
SR2	28"W x 17"H	28"W x 23.5"H	-	13"	13"	



GROUND LADDERS & PIKE POLES			
ITEM	DESCRIPTION	MODEL #	QTY
A	35' 2 SEC EXTENSION	1200-A	2
B	24' 2 SEC EXTENSION	900-A	2
C	16' ROOF	875-A	2
D	14' FRESNO ATTIC	701	1
E	10' FOLDING ATTIC	585-A	1
F	6' PIKE POLE	FP6	3
G	12' PIKE POLE	FP12	3
K	14' ROOF	PR14	1



NOTE:
 THIS DRAWING IS THE PROPERTY OF SPARTAN FIRE, LLC AND IS TO BE USED ONLY IN REFERENCE TO THE WORK PROPOSED OR CONTRACTED BY SPARTAN FIRE, LLC ANY REPRODUCTION IN PART OR IN WHOLE WITHOUT THE WRITTEN PERMISSION OF SPARTAN FIRE, LLC IS STRICTLY PROHIBITED.
 DIMENSIONS SHOWN ARE APPROXIMATE AND ARE SUBJECT TO CHANGE AS MAY BE FOUND NECESSARY DURING CONSTRUCTION. THIS DRAWING MUST BE PLOTTED TO THE PAPER SIZE LISTED IN THE TITLE BLOCK FOR THE LISTED SCALE TO BE VALID.
 THIS DRAWING IS FOR REFERENCE PURPOSES ONLY. SOME ITEMS MAY OR MAY NOT APPEAR ON THE DRAWING THAT MAY OR MAY NOT BE INCLUDED IN THE SPECIFICATIONS. THE SPECIFICATIONS SHALL BE THE FINAL AUTHORITY TO DETERMINE WHAT IS SUPPLIED ON THE APPARATUS.

REV.	INT.	DATE	REVISION HISTORY DESCRIPTION
01	CL	11/15/21	ORIGINAL LAYOUT

PROPOSAL

CHASSIS: SPARTAN GLADIATOR LFD 10" RAISED ROOF WITH 5" TRENCH
 ENGINE: CUMMINS X15 565HP WITH ALLISON 4500 EVS
 PUMP: WATEROUS CSUG20 2250 RATED AT 8000 LPM
 WATER TANK: 300 U.S. GAL
 FOAM CELL: N/A
 BODY MATERIAL: 1/8" ALUMINUM
 HOSE BED: 800' OF 4" & 600' OF 2-1/2"
 GENERATOR: ONAN 6KW 6RBA6
 COMPARTMENTS: 200 CUBIC FEET
 GALVANIZED TORQUE BOX



QUALICUM BEACH FIRE DEPARTMENT			
QUALICUM BEACH, BC			
MODEL:	100" REAR MOUNT PLATFORM (S53RP-100)		
DEALERSHIP:	SAFETEK EMERGENCY VEHICLES		
SCALE:	1/2" = 1'	DRAWN BY:	CL
DATE:	11/15/21	DRAWING NO.:	22125
SIZE:	24" X 36"	REV:	01
SHEET:	1 OF 1		