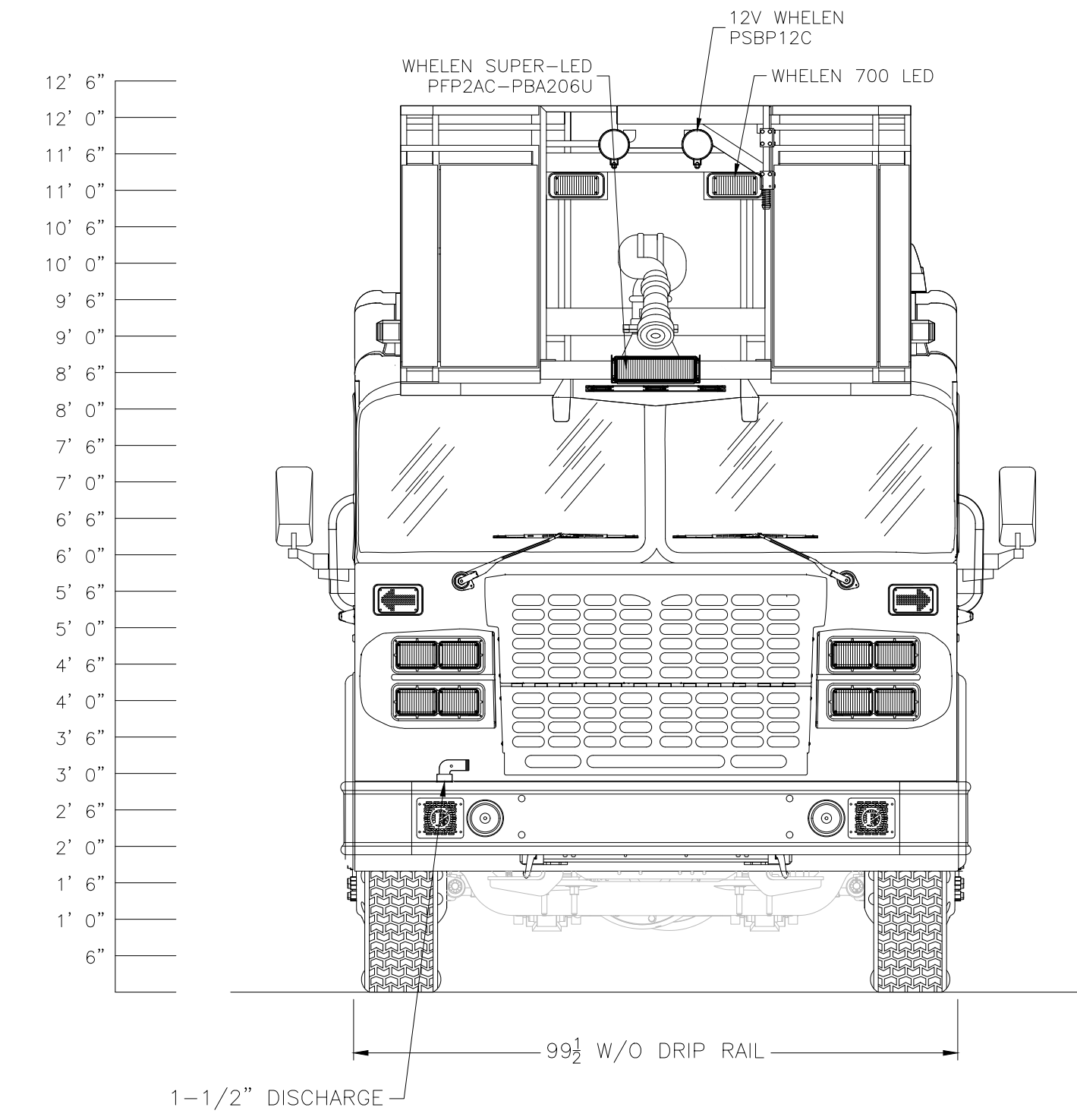
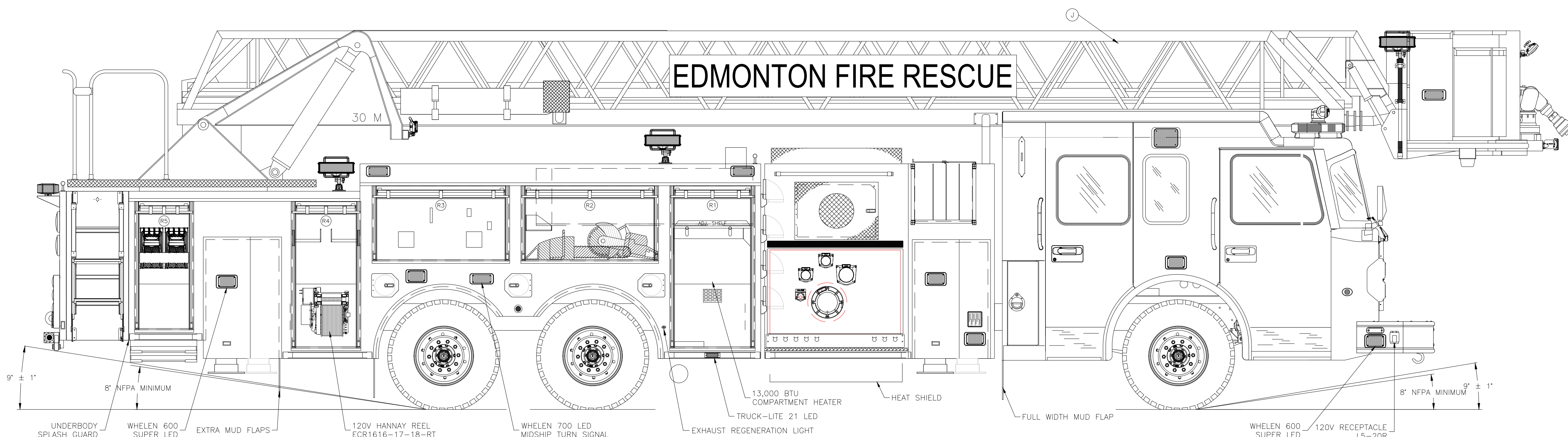
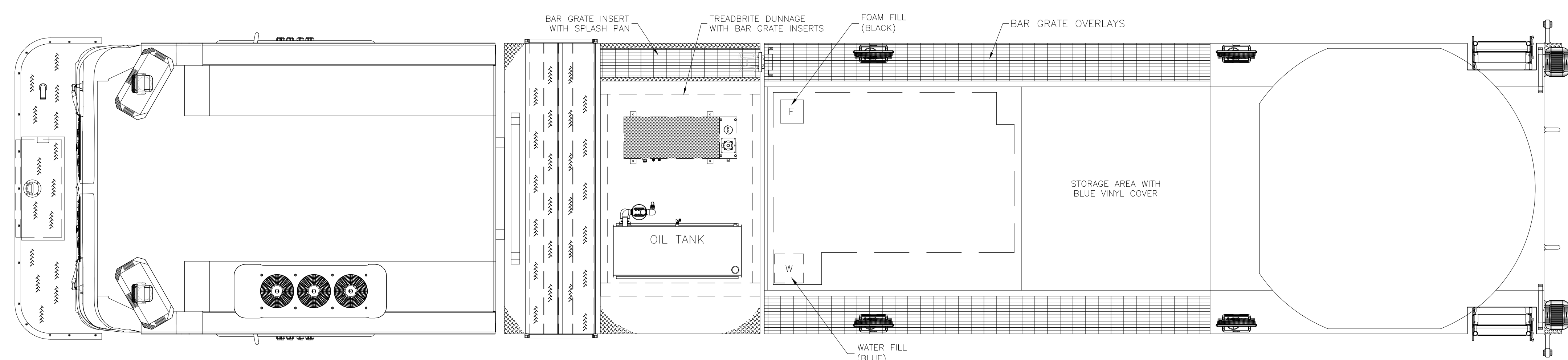


# EDMONTON FIRE RESCUE

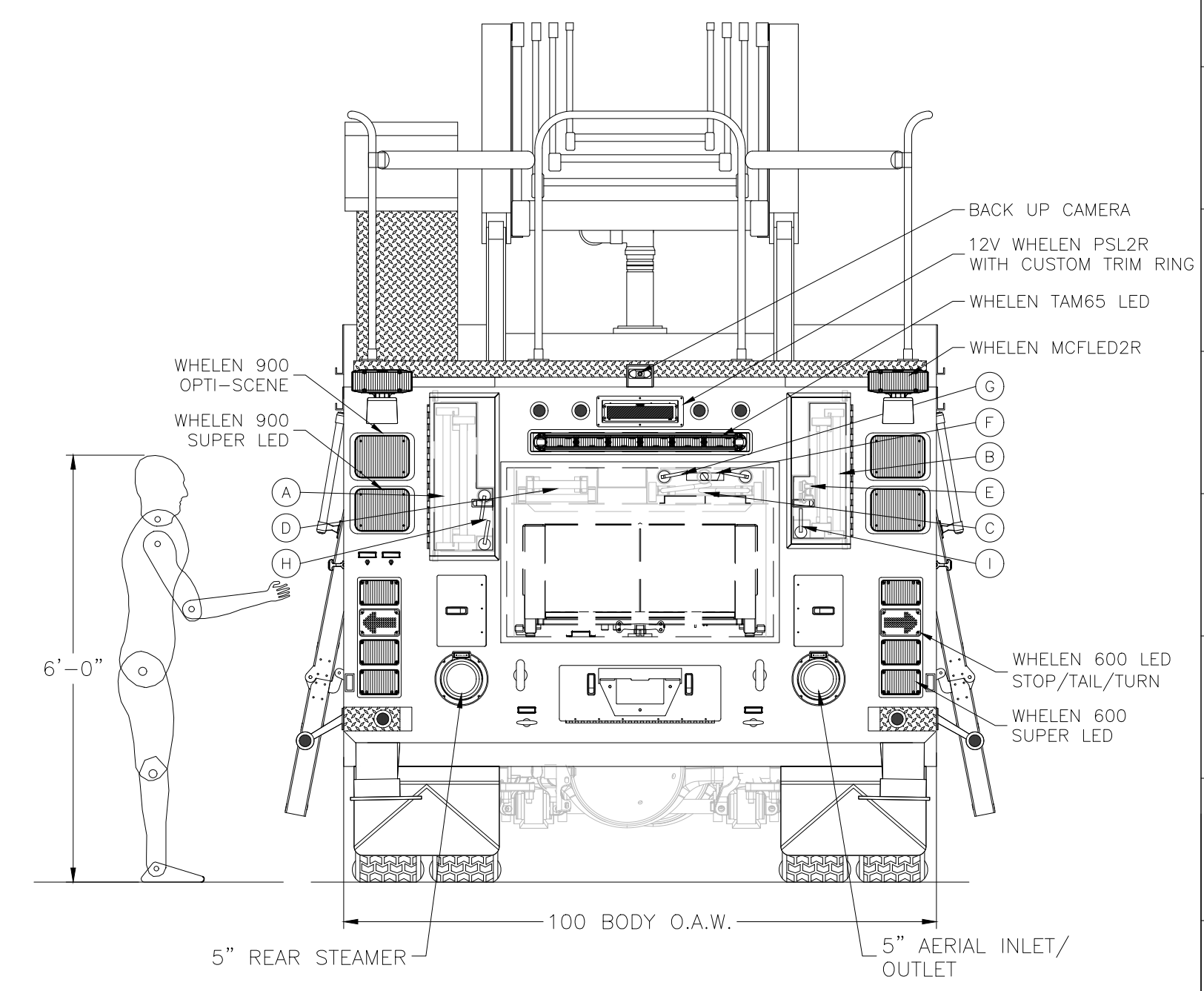
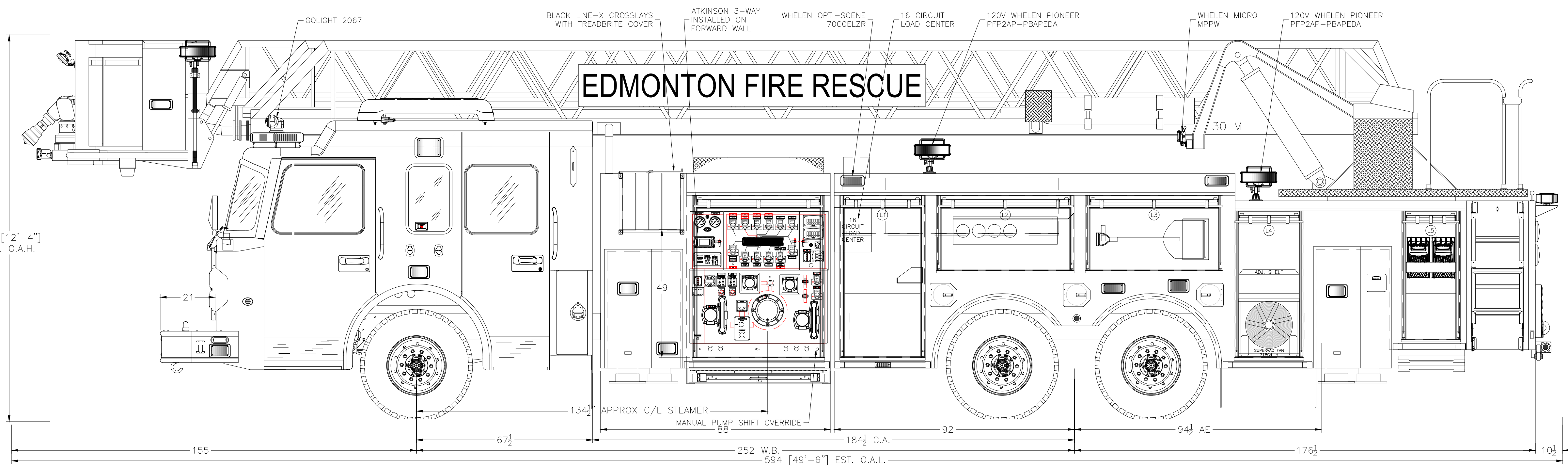


COMPT.	DOOR OPENING	COMPARTMENT DIMENSIONS		
		INTERIOR	DIVIDE HEIGHT	DEPTH
L1	29"W x 56"H	34.5"W x 70"H	24"	14"
L2	49"W x 23"H	57"W x 36"H	24"	14"
L3	49"W x 23"H	62"W x 36"H	24"	14"
L4	23"W x 50"H	31"W x 59.5"H	24"	14"
L5	19"W x 43"H	29.5"W x 52.5"H	17"	14"
R1	29"W x 56"H	34.5"W x 70"H	24"	14"
R2	49"W x 23"H	57"W x 36"H	24"	14"
R3	49"W x 23"H	62"W x 36"H	24"	14"
R4	23"W x 50"H	31"W x 59.5"H	24"	14"
R5	19"W x 43"H	29.5"W x 52.5"H	17"	14"



GROUND LADDERS & PIKE POLES			
ITEM	DESCRIPTION	MODEL #	QTY
A	35' 2 SEC EXTENSION	1200-A	1
B	24' 2 SEC EXTENSION	900-A	1
C	16' ROOF	875-A	1
D	14' FRESNO ATTIC	701	1
E	10' FOLDING ATTIC	585-A	1
F	5' NY HOOK	RP1-5	1
G	8' PIKE POLE	FP8	2
H	12' PIKE POLE	FP12	2
I	14' PIKE POLE	FP14	1
J	16' ROOF (AERIAL FLY)	875-A	1

# EDMONTON FIRE RESCUE



**NOTE:**  
 THIS DRAWING IS THE PROPERTY OF SPARTAN FIRE, LLC AND IS TO BE USED ONLY IN REFERENCE TO THE WORK PROPOSED OR CONTRACTED BY SPARTAN FIRE, LLC ANY REPRODUCTION IN PART OR IN WHOLE WITHOUT THE WRITTEN PERMISSION OF SPARTAN FIRE, LLC IS STRICTLY PROHIBITED.  
 DIMENSIONS SHOWN ARE APPROXIMATE AND ARE SUBJECT TO CHANGE AS MAY BE FOUND NECESSARY DURING CONSTRUCTION. THIS DRAWING MUST BE PLOTTED TO THE PAPER SIZE LISTED IN THE TITLE BLOCK FOR THE LISTED SCALE TO BE VALID.  
 THIS DRAWING IS FOR REFERENCE PURPOSES ONLY. SOME ITEMS MAY OR MAY NOT APPEAR ON THE DRAWING THAT MAY OR MAY NOT BE INCLUDED IN THE SPECIFICATIONS. THE SPECIFICATIONS SHALL BE THE FINAL AUTHORITY TO DETERMINE WHAT IS SUPPLIED ON THE APPARATUS.

REVISION HISTORY			
REV.	INT.	DATE	DESCRIPTION
01	CL	5/27/28	ORIGINAL LAYOUT FROM S5051

**PROPOSAL**

CHASSIS: SPARTAN GLADIATOR LFD 10" RAISED ROOF WITH 10" TRENCH  
 ENGINE: CUMMINS X15 600HP WITH ALLISON 4000 EVS  
 PUMP: HALE QMAX 2250 GPM RATED AT 7000 LPM  
 WATER TANK: 300 U.S. GAL  
 FOAM CELL: 60 U.S. GAL  
 BODY MATERIAL: 1/8" ALUMINUM  
 HOSE BED: 700' OF 5" & 200' OF 2-1/2" / 39 CUBIC FEET  
 GENERATOR: HARRISON 10KW MCR  
 COMPARTMENTS: 170 CUBIC FEET  
 ADDITIONAL PENETRATION STABILIZERS



EDMONTON FIRE RESCUE SERVICES EDMONTON, AB			
MODEL:	100' REAR MOUNT PLATFORM (S53RP-100)		
DEALERSHIP:	SAFETEK EMERGENCY VEHICLES		
SCALE:	1/2" = 1'	DRAWN BY:	CL
DATE:	5/27/21		
SIZE:	24" X 36"	DRAWING NO.:	21623
SHEET:	1 OF 1	REV.:	01