

E-ONE, INC
OCALA, FL
S.O. 146698 / QUOTE 124530
AERIAL SIDESTACKER BODY
HP75 AERIAL LADDER

THIS DRAWING IS FOR REFERENCE PURPOSES. ALL DIMENSIONS ARE SUBJECT TO MINOR VARIATIONS DUE TO MANUFACTURING PROCESSES.

(FOR INTERNAL SALES PURPOSES ONLY)

DEALER APPROVAL _____ DATE _____ AS IS

DATE _____

CUSTOMER APPROVAL _____ DATE _____ WITH REVISIONS

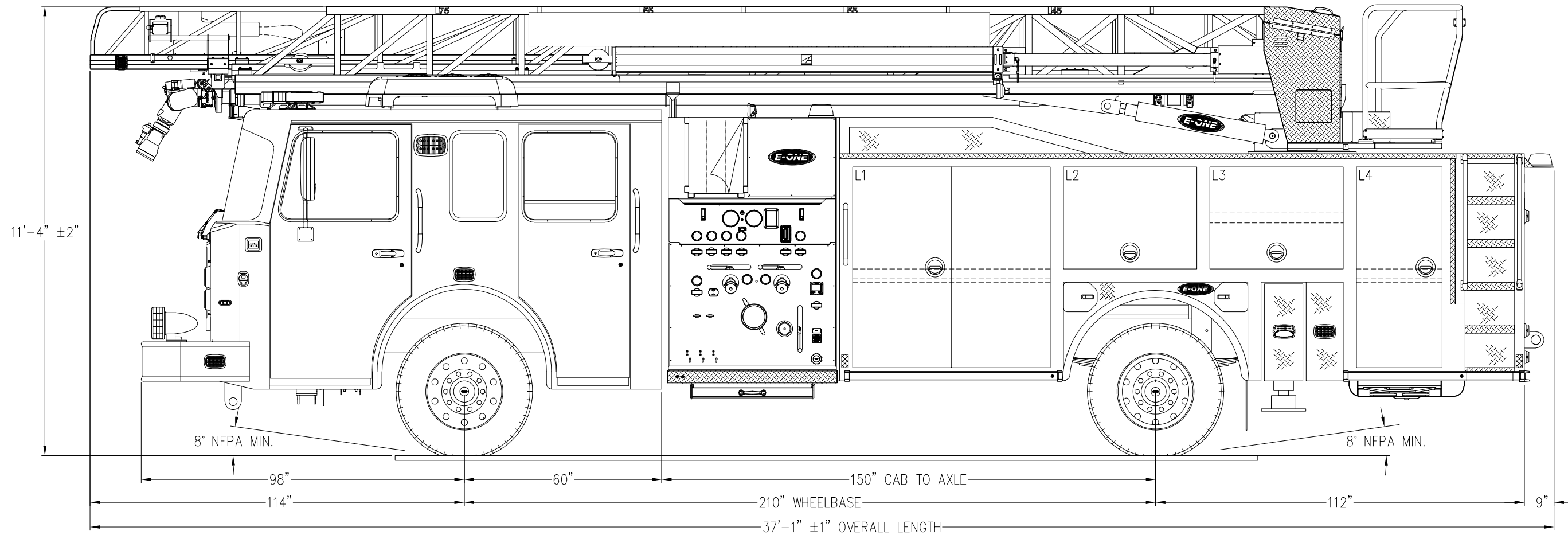
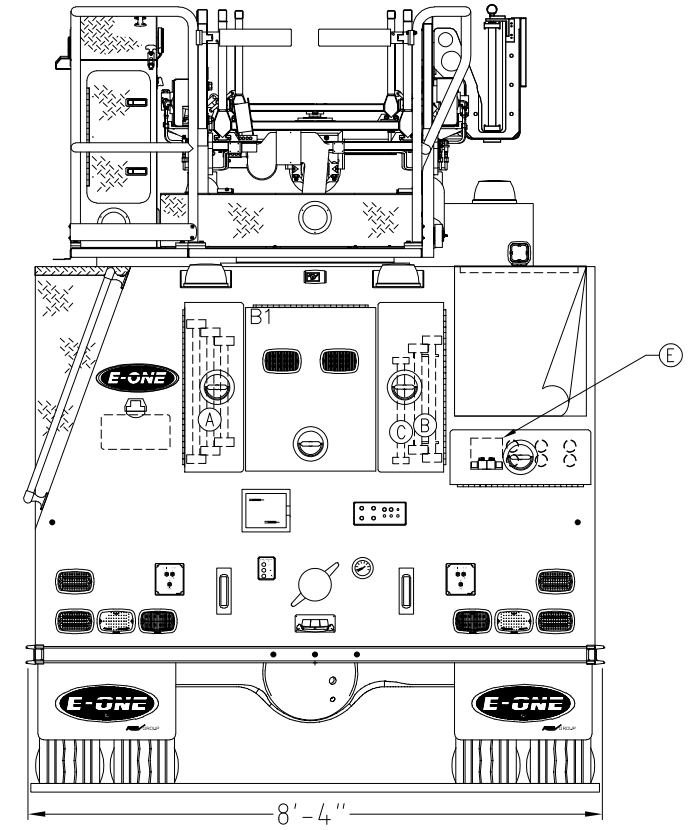
DATE _____

1500 GPM HALE QMAX PUMP	HOSE LOAD:
500 GALLON WATER TANK	NFPA COMPLIANT

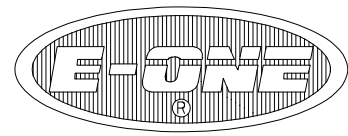
COMPT.	OPENING		INTERIOR DIMENSION			
L1	60W	61H	60W	35H	24D	UPPER
	60W	26H	60W	26H	26D	LOWER
L2	40W	31H	40W	35H	24D	
L3	40W	31H	40W	21H	21D	UPPER
	40W	14H	40W	14H	24D	LOWER
L4	26W	61H	26W	35H	24D	UPPER
	26W	26H	26W	26H	26D	LOWER
R1	60W	61H	60W	35H	23D	UPPER
	60W	26H	60W	26H	26D	LOWER
R2	47W	26H	45W	26H	26D	
B1	21W	28H	TURNTABLE ACCESS ONLY			

GROUND LADDERS			
ITEM	LADDER LENGTH	MODEL NUMBER	QTY
A	35' 3-SECT.	PEL3-35	1
B	28' 2-SECT.	PEL-28	1
C	16' ROOF	PRL-16	1
D	14' ROOF	PRL-14	1
E	10' FOLDING	FL-10	1

ON AERIAL



MNAVETTA	B.2	CHANGE ORDER	2023-AUG-04	MNAVETTA
DRAWN BY	REV	DESCRIPTION	DATE	APPROVED
		PROPOSAL REVISIONS		SHEET 1 OF 2



E-ONE, INC
OCALA, FL
S.O. 146698 / QUOTE 124530
AERIAL SIDESTACKER BODY
HP75 AERIAL LADDER

THIS DRAWING IS FOR REFERENCE PURPOSES. ALL DIMENSIONS ARE SUBJECT TO MINOR VARIATIONS DUE TO MANUFACTURING PROCESSES.

(FOR INTERNAL SALES PURPOSES ONLY)

DEALER APPROVAL _____

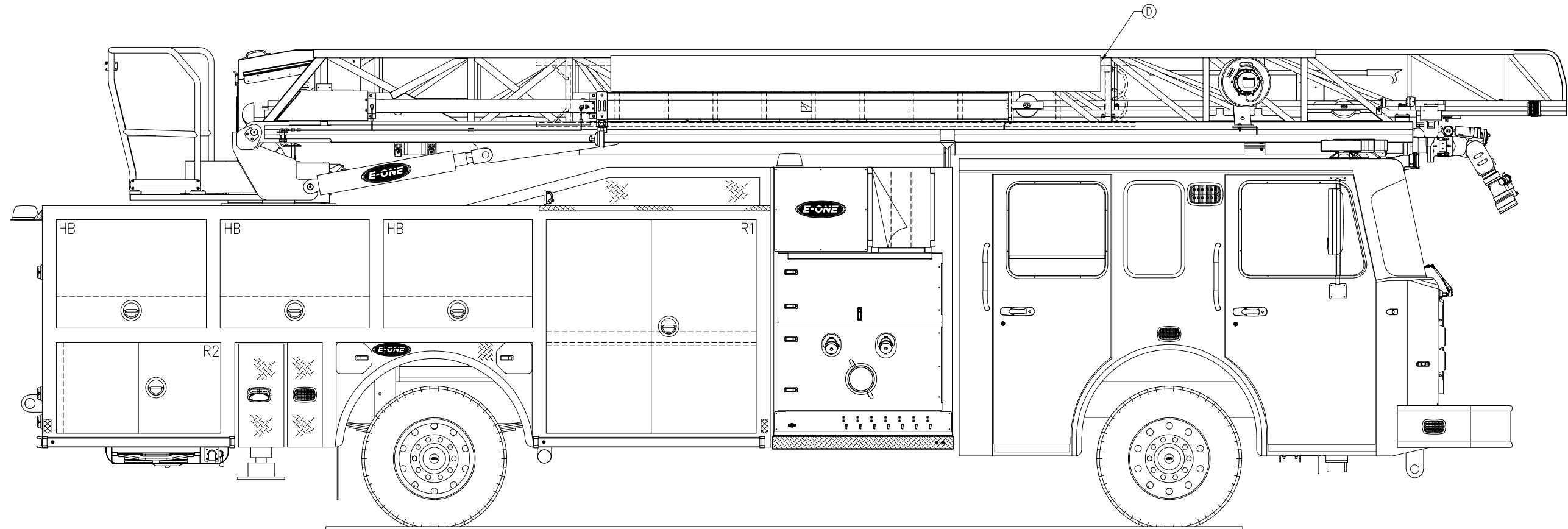
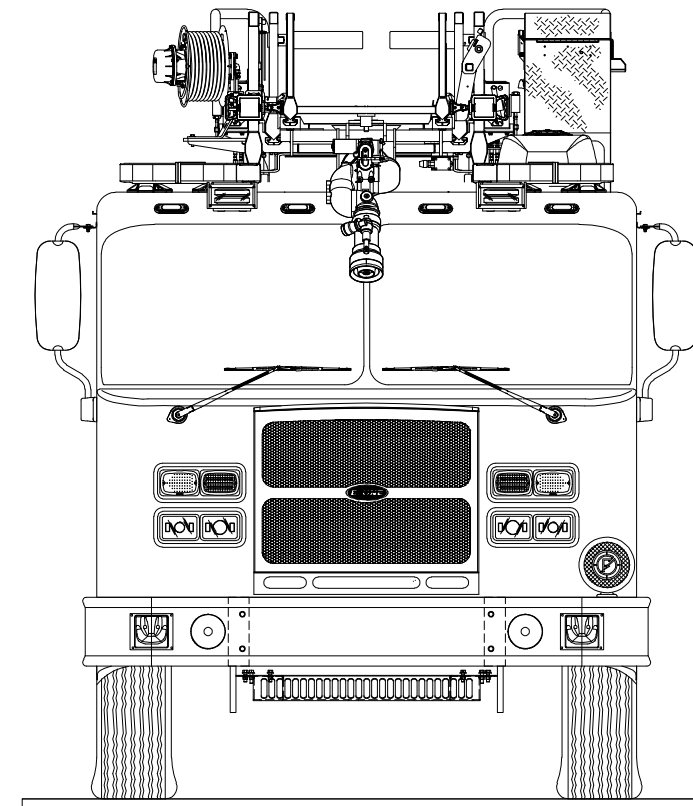
DATE _____

AS IS

CUSTOMER APPROVAL _____

DATE _____

WITH REVISIONS



MNAVETTA	B.2	CHANGE ORDER	2023-AUG-04	MNAVETTA
DRAWN BY	REV	DESCRIPTION	DATE	APPROVED
		PROPOSAL REVISIONS		SHEET 2 OF 2