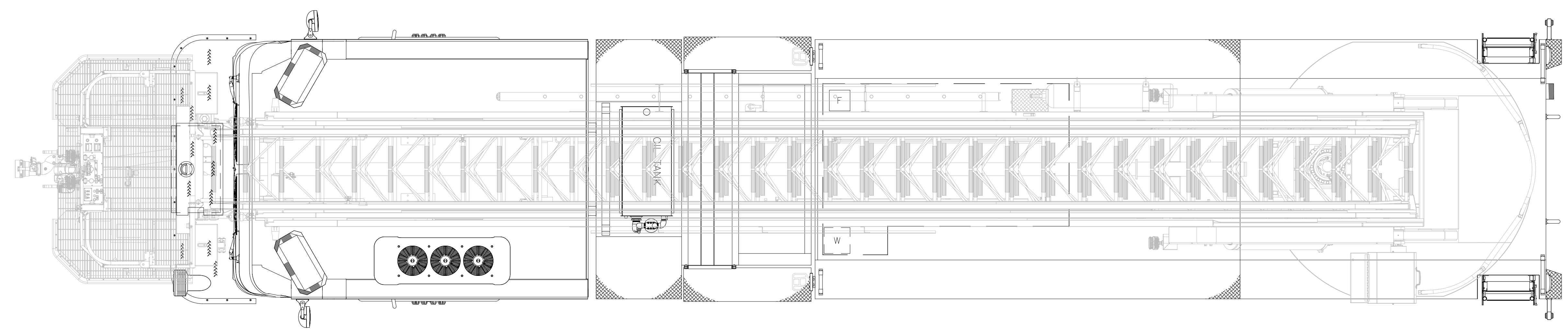
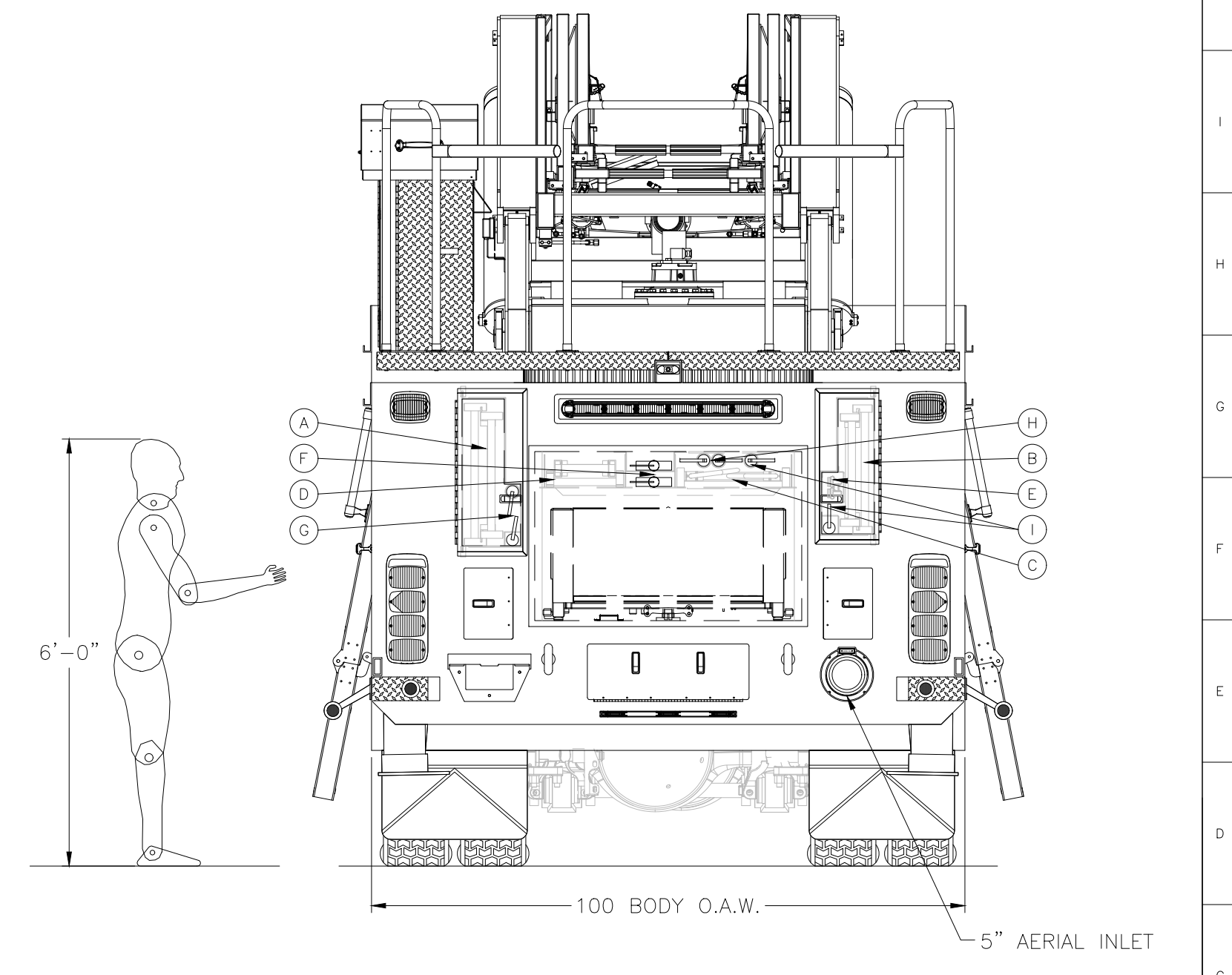
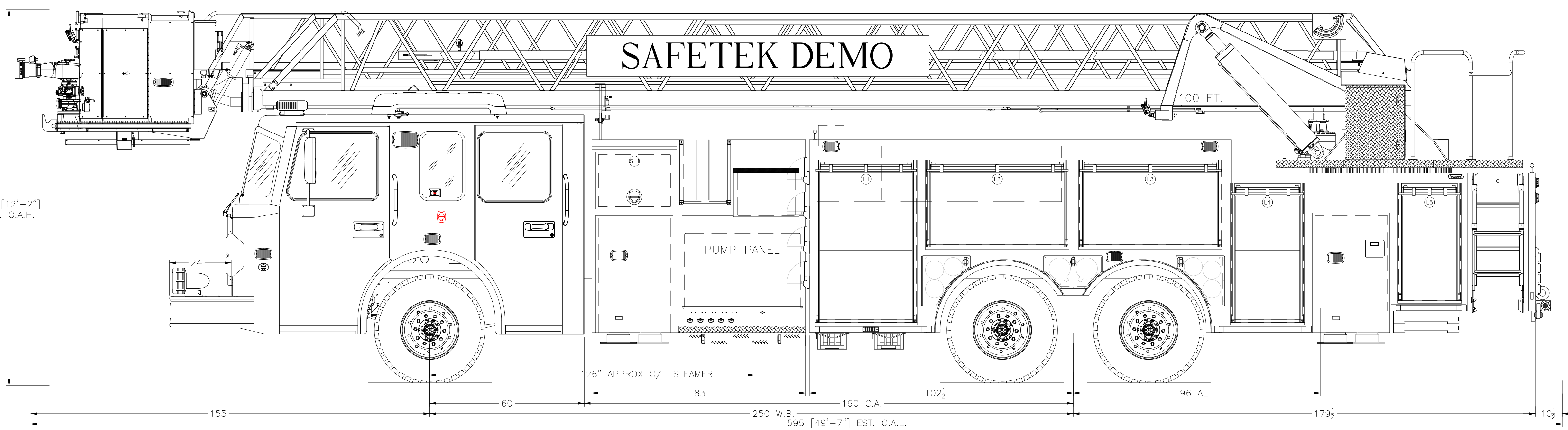


COMPT.	DOOR OPENING	COMPARTMENT DIMENSIONS		
		INTERIOR	DIVIDE HEIGHT	Upper DEPTH Lower
L1	36"W x 57"H	41.5"W x 70"H	27"	14" 23"
L2	52"W x 27"H	59"W x 40.5"H	-	14" 14"
L3	52"W x 27"H	63.5"W x 40.5"H	-	14" 14"
L4	25"W x 48"H	32.5"W x 57"H	27"	14" 24"
L5	21"W x 39"H	31"W x 48.5"H	18"	14" 22"
R1	36"W x 57"H	41.5"W x 70"H	27"	14" 23"
R2	52"W x 27"H	59"W x 40.5"H	-	14" 14"
R3	52"W x 27"H	63.5"W x 40.5"H	-	14" 14"
R4	25"W x 48"H	32.5"W x 57"H	27"	14" 24"
R5	21"W x 39"H	31"W x 48.5"H	18"	14" 22"
SL1	28"W x 19"H	30.5"W x 25"H	-	22" 22"
SR1	28"W x 19"H	30.5"W x 25"H	-	22" 22"



GROUND LADDERS & PIKE POLES				
ITEM	DESCRIPTION	MODEL #	QTY	
A	35' 2" SEC EXTENSION	1200-A	1	
B	24' 2" SEC EXTENSION	900-A	1	
C	16' ROOF	875-A	1	
D	14' FRESNO	701	1	
E	10' FOLDING ATTIC	585-A	1	
F	4' D-HANDLE PIKE POLE	NHF-4 W/D	2	
G	6' PIKE POLE	NHF-6	2	
H	8' PIKE POLE	NHF-8	2	
I	12' PIKE POLE	NHF-12	2	
J	BASE	16' ROOF	875-A	1
K	FLY	6' PIKE POLE	NHF-6	1



NOTE:
 THIS DRAWING IS THE PROPERTY OF SPARTAN FIRE, LLC AND IS TO BE USED ONLY IN REFERENCE TO THE WORK PROPOSED OR CONTRACTED BY SPARTAN FIRE, LLC ANY REPRODUCTION IN PART OR IN WHOLE WITHOUT THE WRITTEN PERMISSION OF SPARTAN FIRE, LLC IS STRICTLY PROHIBITED.
 DIMENSIONS SHOWN ARE APPROXIMATE AND ARE SUBJECT TO CHANGE AS MAY BE FOUND NECESSARY DURING CONSTRUCTION. THIS DRAWING MUST BE PLOTTED TO THE PAPER SIZE LISTED IN THE TITLE BLOCK FOR THE LISTED SCALE TO BE VALID.
 THIS DRAWING IS FOR REFERENCE PURPOSES ONLY. SOME ITEMS MAY OR MAY NOT APPEAR ON THE DRAWING THAT MAY OR MAY NOT BE INCLUDED IN THE SPECIFICATIONS. THE SPECIFICATIONS SHALL BE THE FINAL AUTHORITY TO DETERMINE WHAT IS SUPPLIED ON THE APPARATUS.

REV.	INT.	DATE	REVISION HISTORY DESCRIPTION
01	CL	2/15/24	REPRICE CLONED FROM 5500 PRECON CHANGES, FLAT ROOF CAB

PROPOSAL

CHASSIS: SPARTAN GLADIATOR EMFD FLAT ROOF
 ENGINE: CUMMINS X15 565HP WITH ALLISON 4000 EVS
 PUMP: WATEROUS CSUC20 2250 RATED AT 8000 LPM
 WATER TANK: 400 U.S. GAL
 FOAM CELL: 20 U.S. GAL
 BODY MATERIAL: 1/8" ALUMINUM
 HOSE BED: 1000' OF 4" / 39 CUBIC FEET
 GENERATOR: N/A
 COMPARTMENTS: 183 CUBIC FEET
 ADDITIONAL PENETRATION STABILIZERS



SAFETEK DEMO UNIT			
ABBOTSFORD, BC			
MODEL:	100' REAR MOUNT PLATFORM (SS3RP-100)		
DEALERSHIP:	SAFETEK EMERGENCY VEHICLES		
SCALE:	1/2" = 1'	DRAWN BY:	CL
		DATE:	2/15/24
SIZE:	24" X 36"	DRAWING NO.:	23933
SHEET:	1 OF 1	REV.:	01